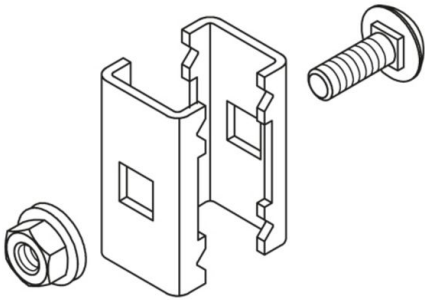


## GVD 30

mesh cable tray connector



galvanized, according to DIN EN ISO 19598 / DIN EN ISO 2081

Product	G
GVD 30GV	0,05 kg
incl.:	
1x SEMS 8	hexagon-nut with flange, DIN EN 1661
1x FRS 8X25	round-head screw with square, DIN 603
2x GV-L 30GV	mesh cable tray connector

Continuously hot galvanized (Sendzimir process) (DIN EN 10346)

Product	G
GVD 30S	0,05 kg
incl.:	
1x SEMS 8	hexagon-nut with flange, DIN EN 1661
1x FRS 8X25	round-head screw with square, DIN 603
2x GV-L 30F	mesh cable tray connector

Hot-dip galvanized, according to BS 729 (DIN EN ISO 1461)

Product	G
GVD 30F	0,06 kg



Product G

---

incl.:  
1x FRS 8X25E                      round-head screw with square, DIN 603  
1x SEMS 8E                        hexagon-nut with flange, DIN EN 1661  
2x GV-L 30F                        mesh cable tray connector

---

## Stainless steel, according to ASTM 304 / BS 304 S 3

Product G

---

GVD 30E 0,05 kg

---

incl.:  
1x FRS 8X25E                      round-head screw with square, DIN 603  
1x SEMS 8E                        hexagon-nut with flange, DIN EN 1661  
2x GV-L 30E                        mesh cable tray connector

---

## Stainless steel, according to ASTM 31 Ti / AISI 316 L, BS 320S17 / BS 316S11

Product G

---

GVD 30E4 0,05 kg

---

incl.:  
1x FRS 8X25E4                    round-head screw with square, DIN 603  
1x SEM 8E4                        hexagon-nut, DIN 934  
2x GV-L 30E4                      mesh cable tray connector

---

**G:** weight

## DETAILS / APPLICATIONS



