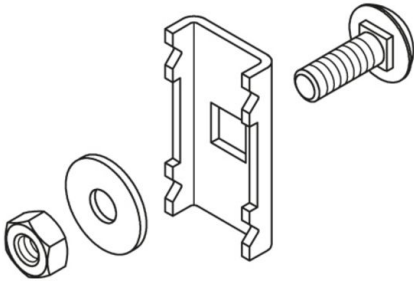


GV 30

mesh cable tray connector



galvanized, according to DIN EN ISO 19598 / DIN EN ISO 2081

Product	G
GV 30GV	0,04 kg
incl.:	
1x GV-L 30GV	mesh cable tray connector
1x FRSV 8X16	round-head screw with short square, DIN 603
1x SEM 8	hexagon-nut, DIN 934

Continuously hot galvanized (Senzimir process) (DIN EN 10346)

Product	G
GV 30S	0,04 kg
incl.:	
1x GV-L 30F	mesh cable tray connector
1x FRSV 8X16	round-head screw with short square, DIN 603
1x SEM 8	hexagon-nut, DIN 934

Hot-dip galvanized, according to BS 729 (DIN EN ISO 1461)

Product	G
GV 30F	0,04 kg



Product G

incl.:

1x GV-L 30F
1x FRSV 8X16E
1x SEM 8E

mesh cable tray connector
round-head screw with short square, DIN 603
hexagon-nut, DIN 934

Stainless steel, according to ASTM 304 / BS 304 S 3

Product G

GV 30E 0,04 kg

incl.:

1x GV-L 30E
1x FRSV 8X16E
1x SEM 8E

mesh cable tray connector
round-head screw with short square, DIN 603
hexagon-nut, DIN 934

Stainless steel, according to ASTM 31 Ti / AISI 316 L, BS 320S17 / BS 316S11

Product G

GV 30E4 0,04 kg

incl.:

1x GV-L 30E4
1x FKS 8X16E4
1x SEM 8E4

mesh cable tray connector
slotted cylinder head screw, DIN EN ISO 1580
hexagon-nut, DIN 934

G: weight

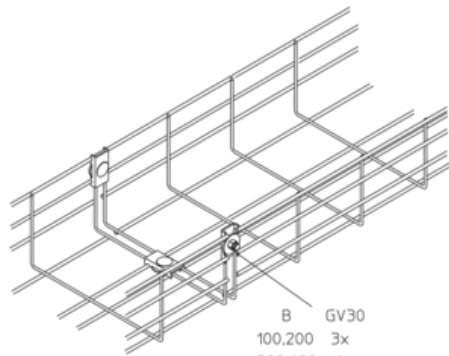
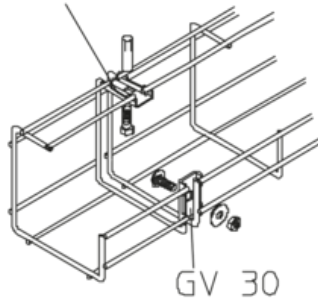
DETAILS / APPLICATIONS



SAZ 8

GV-L 30

SES 8 x 20



B GV30
100,200 3x
300,400 4x
500,600 5x

