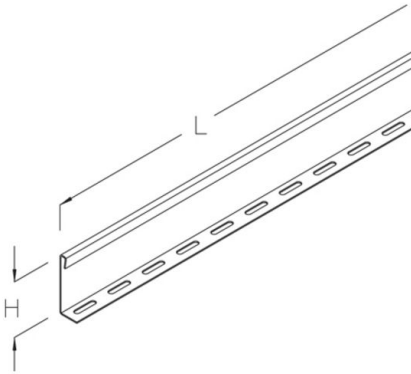


## GTR 50

mesh cable tray separating strip, height = 33 mm

mesh cable tray separating strip including clamp



### Continuously hot galvanized (Sendzimir process) (DIN EN 10346)

Product	H	L	G
GTR 50S	33 mm	3000 mm	1,58 kg
incl.:			
3x KLU-L F	Lug for KLU		
3x FRSV 6X16	round-head screw with short square, DIN 603		
3x SEMS 6	hexagon-nut with flange, DIN EN 1661		

### Hot-dip galvanized, according to BS 729 (DIN EN ISO 1461)

Product	H	L	G
GTR 50F	33 mm	3000 mm	1,75 kg
incl.:			
3x KLU-L F	Lug for KLU		
3x FRSV 6X16E	round-head screw with short square, DIN 603		
3x SEMS 6E	hexagon-nut with flange, DIN EN 1661		

### Stainless steel, according to ASTM 304 / BS 304 S 3

Product	H	L	G
GTR 50E	33 mm	3000 mm	1,64 kg



Product	H	L	G
incl.: 3x KLU-L E 3x FRSV 6X16E 3x SEMS 6E			
		Lug for KLU round-head screw with short square, DIN 603 hexagon-nut with flange, DIN EN 1661	

Stainless steel, according to ASTM 31 Ti / AISI 316 L, BS 320S17 / BS 316S11

Product	H	L	G
GTR 50E4	33 mm	3000 mm	1,66 kg
incl.: 3x SEM 6E4 3x KLU-L E4 3x FKS 6X16E4 3x US 6X12E4		hexagon-nut, DIN 934 Lug for KLU slotted cylinder head screw, DIN EN ISO 1580 washer, DIN EN ISO 7089	

**H:** height  
**L:** length  
**G:** weight

## DETAILS / APPLICATIONS

