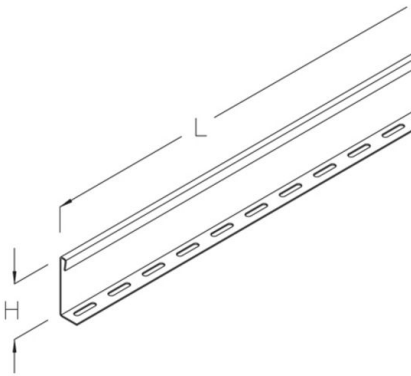


GTR 100

mesh cable tray separating strip, height = 80 mm

mesh cable tray separating strip including clamp



Continuously hot galvanized (Sendzimir process) (DIN EN 10346)

Product	H	L	G
GTR 100S	80 mm	3000 mm	2,5 kg
incl.:			
3x FRSV 6X16	round-head screw with short square, DIN 603		
3x KLU-L F	Lug for KLU		
3x SEMS 6	hexagon-nut with flange, DIN EN 1661		

Hot-dip galvanized, according to BS 729 (DIN EN ISO 1461)

Product	H	L	G
GTR 100F	80 mm	3000 mm	2,7 kg
incl.:			
3x KLU-L F	Lug for KLU		
3x FRSV 6X16E	round-head screw with short square, DIN 603		
3x SEMS 6E	hexagon-nut with flange, DIN EN 1661		

Stainless steel, according to ASTM 304 / BS 304 S 3

Product	H	L	G
GTR 100E	80 mm	3000 mm	2,7 kg



Product	H	L	G
incl.: 3x KLU-L E 3x FRSV 6X16E 3x SEMS 6E	Lug for KLU		
	round-head screw with short square, DIN 603		
	hexagon-nut with flange, DIN EN 1661		

H: height
L: length
G: weight

DETAILS / APPLICATIONS

