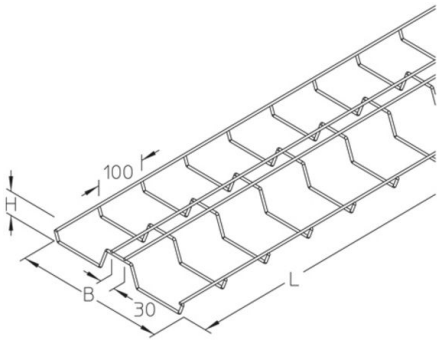


GTD 30

mesh cable tray, W-shape, height = 50 mm

Mesh cable tray, W-shape, for mounting directly to ceiling.

This article is available made in material No. 1.4571/1.4404 (V4A) stainless steel finish.



galvanized, according to DIN EN ISO 19598 / DIN EN ISO 2081

Product	H	B	L	t	A	Q _{SK}	G
GTD 30GV	50 mm	300 mm	3000 mm	4,5 mm	85 cm ²	0,13 kN/m	3,01 kg

Pre-galvanised (DIN EN 10244-2)

Product	H	B	L	t	A	Q _{SK}	G
GTD 30S	50 mm	300 mm	3000 mm	4,5 mm	85 cm ²	0,13 kN/m	3,01 kg

Hot-dip galvanized, according to BS 729 (DIN EN ISO 1461)

Product	H	B	L	t	A	Q _{SK}	G
GTD 30F	50 mm	300 mm	3000 mm	4,5 mm	85 cm ²	0,13 kN/m	3,22 kg

Stainless steel, according to ASTM 304 / BS 304 S 3

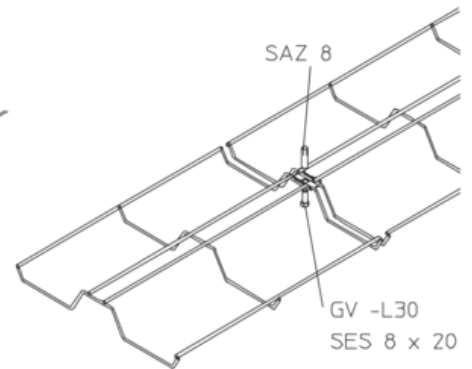
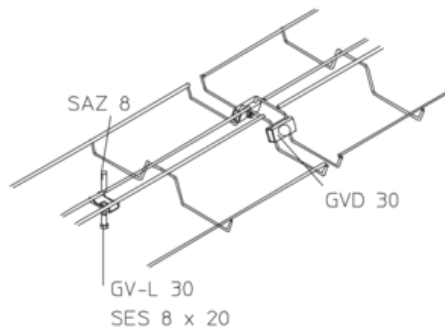
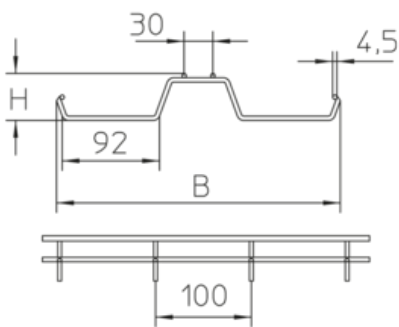
Product	H	B	L	t	A	Q _{SK}	G
GTD 30E	50 mm	300 mm	3000 mm	4,5 mm	85 cm ²	0,13 kN/m	3,03 kg



H: height
B: width
L: length
t: material thickness
A: cross section area
Q_{sk}: distributed load control cable
G: weight

DETAILS / APPLICATIONS

$Q_{max} = 300 \text{ N/m}$
 (StA=1m)



OPTIONAL ACCESSORIES

GV-L 30, GVD 30, GVU, GVK

