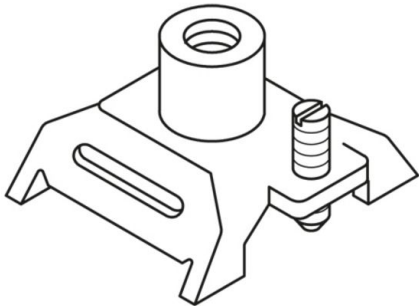


GP
base plate

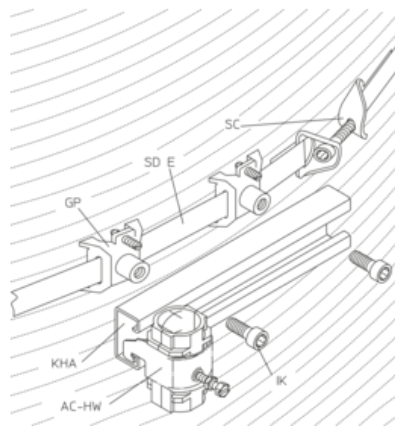
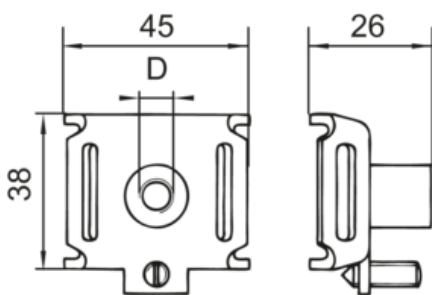


Hot-dip galvanized, according to BS 729 (DIN EN ISO 1461)

| Product | D | G |
|---------|------|---------|
| GP 6 | 6 mm | 0,06 kg |
| GP | 8 mm | 0,06 kg |

D: diameter
G: weight

DETAILS / APPLICATIONS



OPTIONAL ACCESSORIES

SC, SD E

