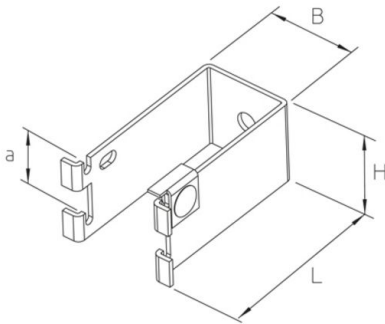


## GBH 30

spacer bar for mesh tray detent dimension 30



Spacer bar for horizontal wall mounting of mesh cable trays. Suitable for mounting on the lateral longitudinal wires of the mesh cable trays G 50 and G 100 up to a width of 116 mm and the GI up to a width of 76 mm (fig. a). Spacer bar for horizontal-vertical wall fastening of mesh cable trays. Suitable for mounting on the longitudinal wires in the bottom of the mesh cable trays G 50 and G 100 up to a width of 216 mm and the GI up to a width of 136 mm (fig. b). From a width of 216 mm, two spacer bars are required for mounting the G 50, G 100 and GI.

The support distance is to be chosen according to the local conditions, maximum 1 m.

### Continuously hot galvanized (Sendzimir process) (DIN EN 10346)

Product	H	B	L	a	G
GBH 30S	45 mm	50 mm	100 mm	30 mm	0,27 kg
incl.:					
1x GBH-SL S	spacer bar safety lug				
1x FRSV 6X12	round-head screw with short square, DIN 603				
1x SEMS 6	hexagon-nut with flange, DIN EN 1661				

### Hot-dip galvanized, according to BS 729 (DIN EN ISO 1461)

Product	H	B	L	a	G
GBH 30F	45 mm	50 mm	100 mm	30 mm	0,25 kg
incl.:					
1x GBH-SL F	spacer bar safety lug				
1x FRSV 6X12E	round-head screw with short square, DIN 603				
1x SEMS 6E	hexagon-nut with flange, DIN EN 1661				

### Stainless steel, according to ASTM 304 / BS 304 S 3

Product	H	B	L	a	G
GBH 30E	45 mm	50 mm	100 mm	30 mm	0,27 kg

Page 1



