

GBAG 20
GBAG 30

GBAG 10

GBAG

centre suspension, external

External centre suspension with threaded rod for mesh cable trays. For tray widths of up to 300 mm. A threaded rod (L = 1000 mm) is included in the set.

F_D/P : coefficient for calculation of the dowel load F_D with effective bracket load P respectively the sum of effective bracket loads.

Continuously hot galvanized (Sendzimir process) (DIN EN 10346)

Product	B	L	P_{max}	F_D/P	G
GBAG 10S	100 mm	41 mm	0,5 kN	1	0,42 kg
incl.:					
1x GB M8-10		threaded rod, DIN 976-1			
2x GV-L 30F		mesh cable tray connector			
3x SEM 8		hexagon-nut, DIN 934			
GBAG 20S	200 mm	180 mm	0,5 kN	1	0,5 kg
incl.:					
1x GB M8-10		threaded rod, DIN 976-1			
1x GV-L 30F		mesh cable tray connector			
3x SEM 8		hexagon-nut, DIN 934			
GBAG 30S	300 mm	280 mm	0,5 kN	1	0,57 kg
incl.:					
1x GB M8-10		threaded rod, DIN 976-1			
1x GV-L 30F		mesh cable tray connector			
3x SEM 8		hexagon-nut, DIN 934			

Stainless steel, according to ASTM 304 / BS 304 S 3

Product	B	L	P_{max}	F_D/P	G
GBAG 10E	100 mm	41 mm	0,5 kN	1	0,42 kg
incl.:					
1x GB M8-10E		threaded rod, DIN 976-1			
3x SEM 8E		hexagon-nut, DIN 934			
2x GV-L 30E		mesh cable tray connector			

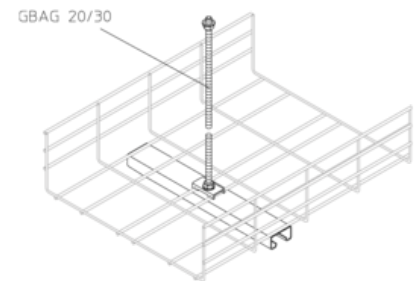
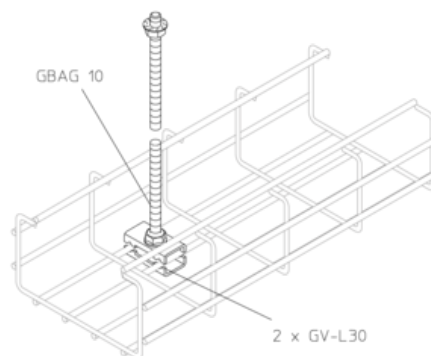
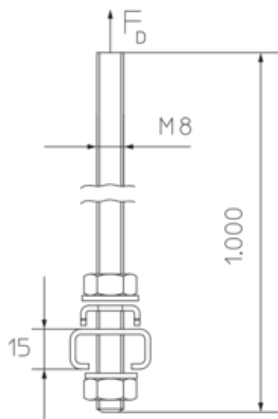
Page 1



Product	B	L	P_{max}	F_D/P	G
GBAG 20E	200 mm	180 mm	0,5 kN	1	0,5 kg
incl.:					
1x GB M8-10E		threaded rod, DIN 976-1			
3x SEM 8E		hexagon-nut, DIN 934			
1x GV-L 30E		mesh cable tray connector			
GBAG 30E	300 mm	280 mm	0,5 kN	1	0,57 kg
incl.:					
1x GB M8-10E		threaded rod, DIN 976-1			
3x SEM 8E		hexagon-nut, DIN 934			
1x GV-L 30E		mesh cable tray connector			

B: width
L: length
 P_{max} : Maximum load
 F_D/P : dowel-to-anchor load
G: weight

DETAILS / APPLICATIONS



OPTIONAL ACCESSORIES

SAZ

