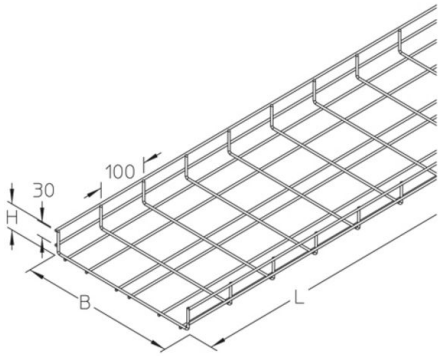


## G 50

mesh cable tray, U-shape, height = 53 mm

Mesh cable tray, U-shape, certified including electrical conductivity according to DIN EN 61537/VDE 0639.



### Stainless steel, according to ASTM 304 / BS 304 S 3

Product	H	B	L	t	A	Q <sub>SK</sub>	G
G 50-06E	53 mm	76 mm	3000 mm	4,00 mm	25 cm <sup>2</sup>	0,04 kN/m	2,26 kg
G 50-10E	53 mm	116 mm	3000 mm	4,00 mm	45 cm <sup>2</sup>	0,07 kN/m	2,38 kg
G 50-20E	53 mm	216 mm	3000 mm	4,00 mm	90 cm <sup>2</sup>	0,14 kN/m	3,28 kg
G 50-30E	53 mm	316 mm	3000 mm	4,00 mm	135 cm <sup>2</sup>	0,20 kN/m	4,18 kg
G 50-40E	53 mm	418 mm	3000 mm	4,50 mm	176 cm <sup>2</sup>	0,26 kN/m	6,47 kg
G 50-50E	53 mm	518 mm	3000 mm	4,50 mm	220 cm <sup>2</sup>	0,33 kN/m	7,62 kg
G 50-60E	53 mm	618 mm	3000 mm	4,50 mm	264 cm <sup>2</sup>	0,40 kN/m	8,77 kg

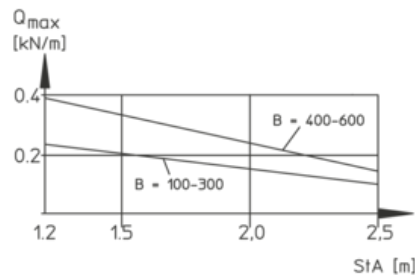
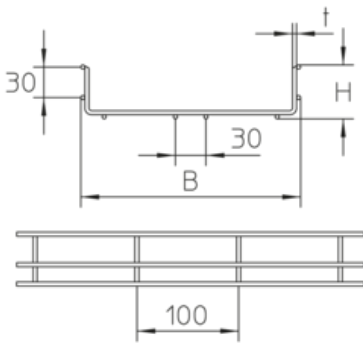
### Stainless steel, according to ASTM 31 Ti / AISI 316 L, BS 320S17 / BS 316S11

Product	H	B	L	t	A	Q <sub>SK</sub>	G
G 50-06E4	53 mm	76 mm	3000 mm	4,00 mm	25 cm <sup>2</sup>	0,04 kN/m	2,30 kg
G 50-10E4	53 mm	116 mm	3000 mm	4,00 mm	45 cm <sup>2</sup>	0,07 kN/m	2,43 kg
G 50-20E4	53 mm	216 mm	3000 mm	4,00 mm	90 cm <sup>2</sup>	0,14 kN/m	3,35 kg
G 50-30E4	53 mm	316 mm	3000 mm	4,00 mm	135 cm <sup>2</sup>	0,20 kN/m	4,27 kg
G 50-40E4	53 mm	418 mm	3000 mm	4,50 mm	176 cm <sup>2</sup>	0,26 kN/m	6,53 kg
G 50-50E4	53 mm	518 mm	3000 mm	4,50 mm	220 cm <sup>2</sup>	0,33 kN/m	7,68 kg
G 50-60E4	53 mm	618 mm	3000 mm	4,50 mm	264 cm <sup>2</sup>	0,40 kN/m	8,84 kg



**H:** height  
**B:** width  
**L:** length  
**t:** material thickness  
**A:** cross section area  
**Q<sub>sk</sub>:** distributed load control cable  
**G:** weight

## DETAILS / APPLICATIONS



## OPTIONAL ACCESSORIES

GV 30, GVD 30, GV-L 30, GVU, GVK, GTR 50, MP-G, KLU, GKAB, GVR, MP-G90



Do not walk upon!

