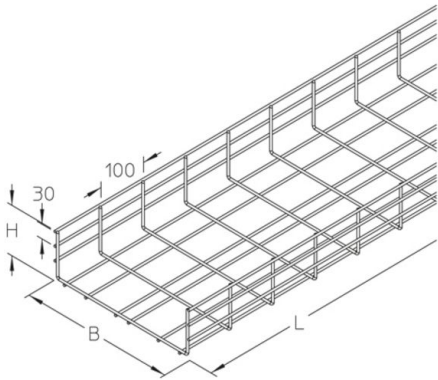


G 100

mesh cable tray, U-shape, height = 103 mm

Mesh cable tray, U-shape, certified including electrical conductivity according to DIN EN 61537/VDE 0639.



galvanized, according to DIN EN ISO 19598 / DIN EN ISO 2081

Product	H	B	L	t	A	Q _{SK}	G
G 100-10GV	103 mm	116 mm	3000 mm	4,00 mm	95 cm ²	0,14 kN/m	3,28 kg
G 100-20GV	103 mm	216 mm	3000 mm	4,00 mm	190 cm ²	0,29 kN/m	4,18 kg
G 100-30GV	103 mm	318 mm	3000 mm	4,50 mm	282 cm ²	0,42 kN/m	6,42 kg
G 100-40GV	103 mm	418 mm	3000 mm	4,50 mm	376 cm ²	0,56 kN/m	7,56 kg
G 100-50GV	103 mm	518 mm	3000 mm	4,50 mm	470 cm ²	0,71 kN/m	8,70 kg
G 100-60GV	103 mm	618 mm	3000 mm	4,50 mm	564 cm ²	0,85 kN/m	9,84 kg

Pre-galvanised (DIN EN 10244-2)

Product	H	B	L	t	A	Q _{SK}	G
G 100-10S	103 mm	116 mm	3000 mm	4,00 mm	95 cm ²	0,14 kN/m	3,28 kg
G 100-20S	103 mm	216 mm	3000 mm	4,00 mm	190 cm ²	0,29 kN/m	4,18 kg
G 100-30S	103 mm	318 mm	3000 mm	4,50 mm	282 cm ²	0,42 kN/m	6,42 kg
G 100-40S	103 mm	418 mm	3000 mm	4,50 mm	376 cm ²	0,56 kN/m	7,56 kg
G 100-50S	103 mm	518 mm	3000 mm	4,50 mm	470 cm ²	0,71 kN/m	8,70 kg
G 100-60S	103 mm	618 mm	3000 mm	4,50 mm	564 cm ²	0,85 kN/m	9,84 kg

Hot-dip galvanized, according to BS 729 (DIN EN ISO 1461)



Product	H	B	L	t	A	Q _{SK}	G
G 100-10F	103 mm	116 mm	3000 mm	4,00 mm	95 cm ²	0,14 kN/m	3,51 kg
G 100-20F	103 mm	216 mm	3000 mm	4,00 mm	190 cm ²	0,29 kN/m	4,48 kg
G 100-30F	103 mm	318 mm	3000 mm	4,50 mm	282 cm ²	0,42 kN/m	6,87 kg
G 100-40F	103 mm	418 mm	3000 mm	4,50 mm	376 cm ²	0,56 kN/m	8,09 kg
G 100-50F	103 mm	518 mm	3000 mm	4,50 mm	470 cm ²	0,71 kN/m	9,31 kg
G 100-60F	103 mm	618 mm	3000 mm	4,50 mm	564 cm ²	0,85 kN/m	10,53 kg

Stainless steel, according to ASTM 304 / BS 304 S 3

Product	H	B	L	t	A	Q _{SK}	G
G 100-10E	103 mm	116 mm	3000 mm	4,00 mm	95 cm ²	0,14 kN/m	3,28 kg
G 100-20E	103 mm	216 mm	3000 mm	4,00 mm	190 cm ²	0,29 kN/m	4,18 kg
G 100-30E	103 mm	318 mm	3000 mm	4,50 mm	282 cm ²	0,42 kN/m	6,47 kg
G 100-40E	103 mm	418 mm	3000 mm	4,50 mm	376 cm ²	0,56 kN/m	7,62 kg
G 100-50E	103 mm	518 mm	3000 mm	4,50 mm	470 cm ²	0,71 kN/m	8,77 kg
G 100-60E	103 mm	618 mm	3000 mm	4,50 mm	564 cm ²	0,85 kN/m	9,92 kg

Stainless steel, according to ASTM 31 Ti / AISI 316 L, BS 320S17 / BS 316S11

Product	H	B	L	t	A	Q _{SK}	G
G 100-10E4	103 mm	116 mm	3000 mm	4,00 mm	95 cm ²	0,14 kN/m	3,35 kg
G 100-20E4	103 mm	216 mm	3000 mm	4,00 mm	190 cm ²	0,29 kN/m	4,27 kg
G 100-30E4	103 mm	318 mm	3000 mm	4,50 mm	282 cm ²	0,42 kN/m	6,53 kg
G 100-40E4	103 mm	418 mm	3000 mm	4,50 mm	376 cm ²	0,56 kN/m	7,68 kg
G 100-50E4	103 mm	518 mm	3000 mm	4,50 mm	470 cm ²	0,71 kN/m	8,84 kg
G 100-60E4	103 mm	618 mm	3000 mm	4,50 mm	564 cm ²	0,85 kN/m	10,00 kg

H: height

B: width

L: length

t: material thickness

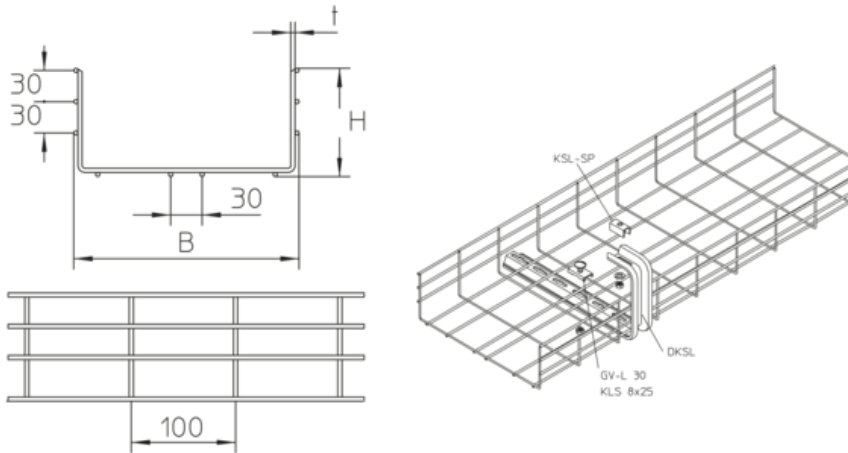
A: cross section area

Q_{SK}: distributed load control cable



G: weight

DETAILS / APPLICATIONS



OPTIONAL ACCESSORIES

GV 30, GVD 30, GV-L 30, Gvu, GVK, GTR 100, MP-G, KLU, GKAB, GVR



Do not walk upon!

