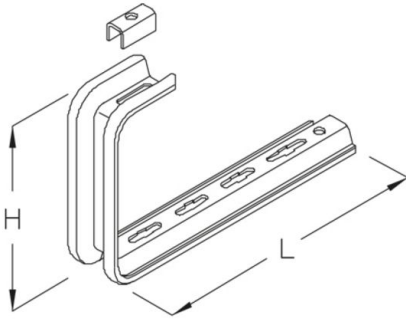


DKSL-BS

ceiling fixed bracket, light-duty Maintenance of function - Standard support structures

Ceiling bracket, light version made of W-/trapezoidal profile 60x20x2.5 mm, perforated in the center, suspension length 170 mm.

The products can be used for fire protection. This product is only to be used in conjunction with the cable tray for standard support construction. For technical parameters, see National Technical Test Certificates (abPs).



Continuously hot galvanized (Sendzimir process) (DIN EN 10346)

Product	H	B1	B2	L	G
DKSL-BS 010S	170 mm	100 mm	130 mm	150 mm	0,66 kg
incl.:					
DKSL-BS 020S	170 mm	200 mm	230 mm	250 mm	0,75 kg
incl.:					
DKSL-BS 030S	170 mm	300 mm	330 mm	350 mm	0,93 kg
incl.:					

Hot-dip galvanized, according to BS 729 (DIN EN ISO 1461)

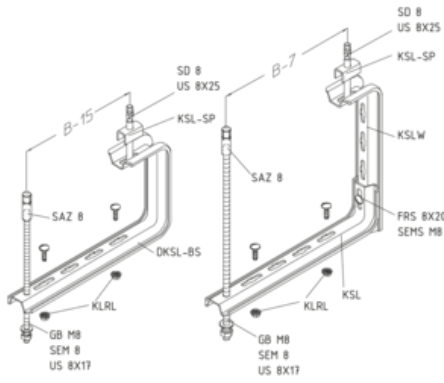
Product	H	B1	B2	L	G
DKSL-BS 010F	170 mm	100 mm	130 mm	150 mm	0,71 kg
incl.:					
DKSL-BS 020F	170 mm	200 mm	230 mm	250 mm	0,80 kg
incl.:					
DKSL-BS 030F	170 mm	300 mm	330 mm	350 mm	0,99 kg
incl.:					

H: height
B1: width
B2: width



L: length
G: weight

DETAILS / APPLICATIONS



OPTIONAL ACCESSORIES

SD, SAZ, KLRL, GB, VM

