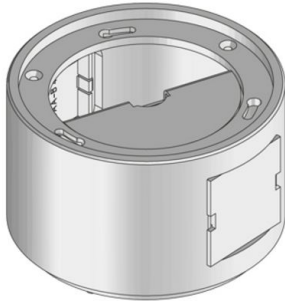


## BODO NAT

on-floor tube outlet, empty



Round tube outlet, use only in conjunction with cable outlet, dummy. For the installation of two 45x45 mm installation devices. Close tube using the bayonet catch. For installation in floor sockets and raised or hollow space floor openings. Suitable for rooms with dry and wet-cleaned floor covers. Designed for high traffic loads.

material	tube collet: aluminium
type of assembly	Fixing on floor box UBDHB / rough concrete floor and installation in screed or false floor
application area	wet floor cleaning
protection class	in use IP 20 / not in use IP 66
norm	according to DIN EN 50085
permits	according to VDE / TÜV
loading	including inspection stamp Ø 130 mm: 15 kN

### Aluminium

Product	H	B	$P_{max}$	color	$IP_n$	$IP_g$	G
BODO NAT-L	70 mm	120 mm	15 kN	aluminum	IP 66	IP 20	0,74 kg

**H:** height

**B:** width

**$P_{max}$ :** Maximum load

:

**color:**

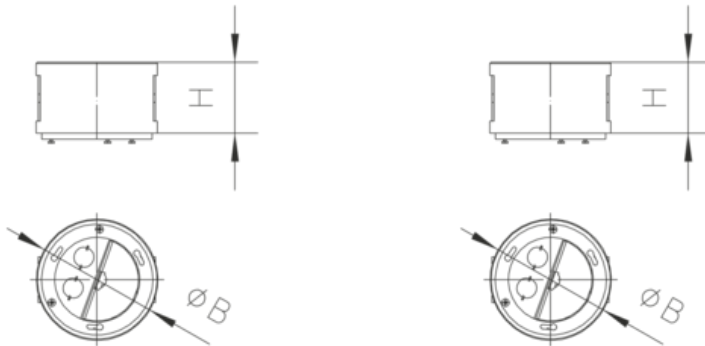
**$IP_n$ :** IP protection level in unused condition

**$IP_g$ :** IP protection level in used condition

**G:** weight



## DETAILS / APPLICATIONS



## OPTIONAL ACCESSORIES

BODO NA



wet-cleaned

