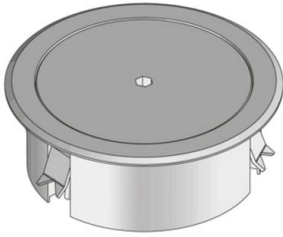


BODO NA

cable outlet, dummy



Round cable outlet with floor protection frame, completable with tube outlet. Close cover using the bayonet catch. For installation in floor sockets and raised or hollow space floor openings. Suitable for rooms with dry and wet-cleaned floor covers. Designed for high traffic loads.

material	cover: aluminum / frame: polyamide
type of assembly	Fixing on floor box UBDHB / rough concrete floor and installation in screed or false floor
application area	wet floor cleaning
protection class	in use IP 20 / not in use IP 66
norm	according to DIN EN 50085
permits	according to VDE / TÜV
loading	including inspection stamp \varnothing 130 mm: 15 kN

Aluminium

Product	H	H _{min}	B	E	P _{max}	color	IP _n	IP _g	G
BODO NA-L	48 mm	87 mm	140 mm	122 mm	15 kN	aluminum	IP 66	IP 20	0,30 kg

H: height

H_{min}: Minimum installation height

B: width

E: fitting dimension

P_{max}: Maximum load

:

color:

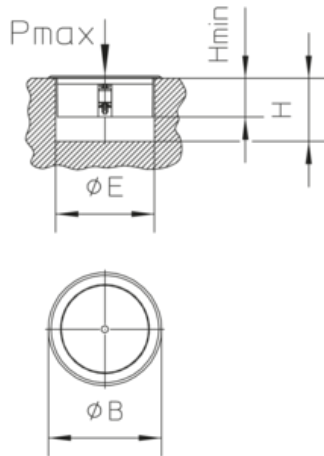
IP_n: IP protection level in unused condition

IP_g: IP protection level in used condition

G: weight



DETAILS / APPLICATIONS



OPTIONAL ACCESSORIES

BODO NAT, BODO NAT-W



wet-cleaned

