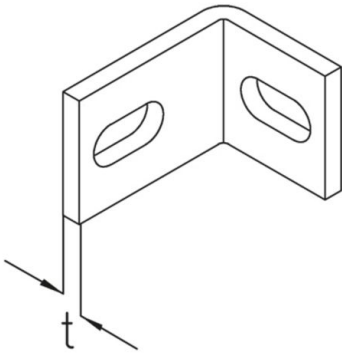


BL 5

corner angle, KHU 40/57/60, KHA

Wall angle for fastening bracket supports KHU 40/57/60 and KHA to walls.

This article is available made in material No. 1.4571/1.4404 (V4A) stainless steel finish.

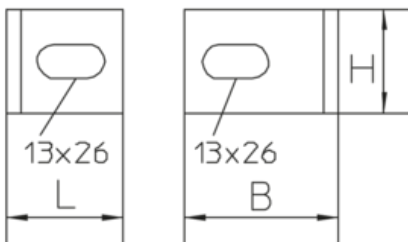


Hot-dip galvanized, according to BS 729 (DIN EN ISO 1461)

Product	H	B	L	t	G
BL 5F	40 mm	45 mm	60 mm	6,00 mm	0,14 kg

H: height
B: width
L: length
t: material thickness
G: weight

DETAILS / APPLICATIONS



OPTIONAL ACCESSORIES

SD, AM22, AMF22, HS18, AMF18, AM18

