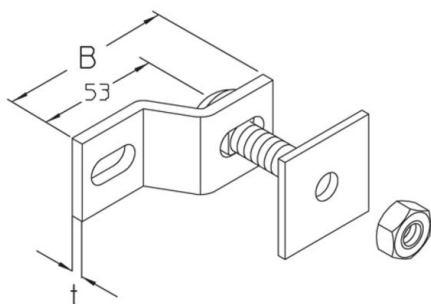


BL 3 corner angle, KHI



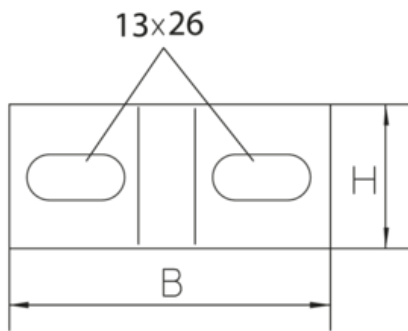
Hot-dip galvanized, according to BS 729 (DIN EN ISO 1461)

Product	H	B	t	G
BL 3F	40 mm	90 mm	6,00 mm	0,2 kg
incl.:				
1x FRS 12X30F		round-head screw with square, DIN 603		
1x SEM 12F		hexagon-nut, DIN 934		
1x RUS 50-L13F		washer, KHI		

H: height
B: width
t: material thickness
G: weight

DETAILS / APPLICATIONS





OPTIONAL ACCESSORIES

SD

