

BGUQ-BS 50

head/base plate, STU-BS 50 Maintenance of function - Standard support structures

Head and base plate for mounting a STU-BS 50 as a hanging vertical ladder.

The product can be used for fire protection. For technical parameters, see National Technical Test Certificates (abPs).

Hot-dip galvanized, according to BS 729 (DIN EN ISO 1461)

Product	H	B	L	G
BGUQ-BS 50F	106 mm	80 mm	150 mm	0,86 kg
incl.:				
2x SES 10X20F		hexagon head bolt, DIN 933		
2x SEM 10F		hexagon-nut, DIN 934		

Stainless steel, according to ASTM 304 / BS 304 S 3

Product	H	B	L	G
BGUQ-BS 50E	106 mm	80 mm	150 mm	0,82 kg
incl.:				
2x SES 10X20E		hexagon head bolt, DIN 933		
2x SEM 10E		hexagon-nut, DIN 934		

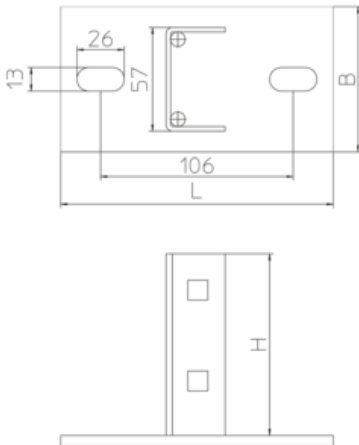
Stainless steel, according to ASTM 31 Ti / AISI 316 L, BS 320S17 / BS 316S11

Product	H	B	L	G
BGUQ-BS 50E4	106 mm	80 mm	150 mm	0,82 kg
incl.:				
2x SES 10X20E4		hexagon head bolt, DIN 933		
2x SEM 10E4		hexagon-nut, DIN 934		



H: height
B: width
L: length
G: weight

DETAILS / APPLICATIONS



OPTIONAL ACCESSORIES

SD

