

BGUDW

screwed head plate 30°-90°, KHU 40/57/60

Head plate for mounting of bracket support profile U40/ U57/ U60 to ceiling. For angled connection 30° - 90°.

Hot-dip galvanized, according to BS 729 (DIN EN ISO 1461)

Product	H	B	L	G
BGUDW F	120 mm	80 mm	200 mm	1,33 kg
incl.:				
2x SES 10X25F		hexagon head bolt, DIN 933		
2x SEM 10F		hexagon-nut, DIN 934		

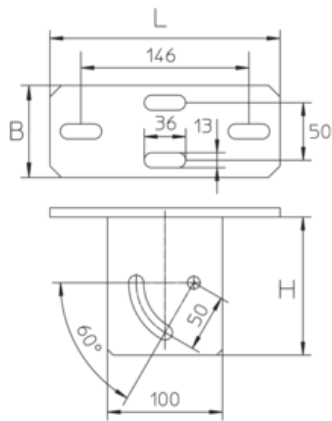
Stainless steel, according to ASTM 31 Ti / AISI 316 L, BS 320S17 / BS 316S11

Product	H	B	L	G
BGUDW E4	120 mm	80 mm	200 mm	1,24 kg
incl.:				
2x SES 10X25E4		hexagon head bolt, DIN 933		
2x SEM 10E4		hexagon-nut, DIN 934		

H: height
B: width
L: length
G: weight

DETAILS / APPLICATIONS





OPTIONAL ACCESSORIES

SD

