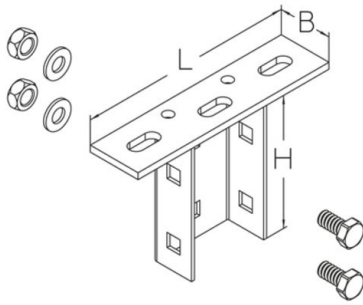


BGU 57

screwed head plate, KHU 57

Head plate for ceiling mounting of bracket support KHU 57



galvanized, according to DIN EN ISO 19598 / DIN EN ISO 2081

Product	H	B	L	t	G
BGU 57GV	100 mm	40 mm	160 mm	5,00 mm	0,51 kg
incl.:					
2x FRSV 10X20		round-head screw with short square, DIN 603			
2x SEMS 10		hexagon-nut with flange, DIN EN 1661			

Hot-dip galvanized, according to BS 729 (DIN EN ISO 1461)

Product	H	B	L	t	G
BGU 57F	100 mm	40 mm	160 mm	5,00 mm	0,54 kg
incl.:					
2x FRSV 10X20F		round-head screw with short square, DIN 603			
2x SEM 10F		hexagon-nut, DIN 934			

Stainless steel, according to ASTM 304 / BS 304 S 3

Product	H	B	L	t	G
BGU 57E	100 mm	40 mm	160 mm	5,00 mm	0,52 kg
incl.:					
2x FRSV 10X20E		round-head screw with short square, DIN 603			
2x SEM 10E		hexagon-nut, DIN 934			



Stainless steel, according to ASTM 31 Ti / AISI 316 L, BS 320S17 / BS 316S11

Product	H	B	L	t	G
BGU 57E4	100 mm	40 mm	160 mm	5,00 mm	0,52 kg
incl.:					
2x FRSV 10X20E4		round-head screw with short square, DIN 603			
2x SEM 10E4		hexagon-nut, DIN 934			

H: height
B: width
L: length
t: material thickness
G: weight

DETAILS / APPLICATIONS

