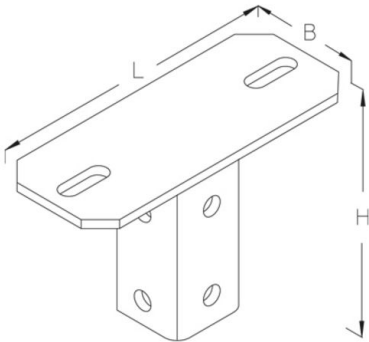


BGA 41

screwed head plate, KHA 41

assembly plate for fixing bracket support profile KHA 41

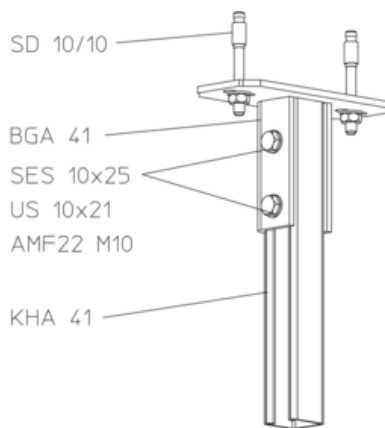
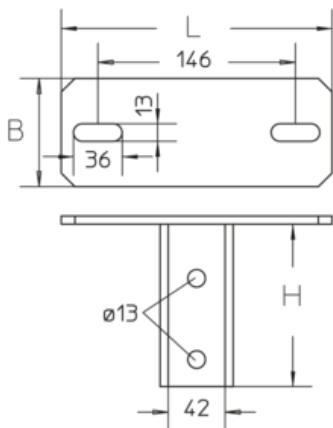


Hot-dip galvanized, according to BS 729 (DIN EN ISO 1461)

Product	H	B	L	G
BGA 41F	120 mm	80 mm	200 mm	1,47 kg

H: height
B: width
L: length
G: weight

DETAILS / APPLICATIONS



OPTIONAL ACCESSORIES

SD, SKL M, AMF22, AM22, KHA 41

