

AVE
rail connector corner

Hot-dip galvanized, according to BS 729 (DIN EN ISO 1461)

Product	H	B	t	G
AVE F	90 mm	90 mm	6,00 mm	0,26 kg

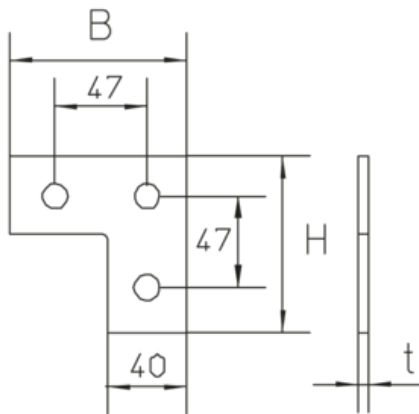
Stainless steel, according to ASTM 31 Ti / AISI 316 L, BS 320S17 / BS 316S11

Product	H	B	t	G
AVE E4	90 mm	90 mm	6,00 mm	0,26 kg

H: height
B: width
t: material thickness
G: weight

DETAILS / APPLICATIONS





OPTIONAL ACCESSORIES

AM22, AMF22

