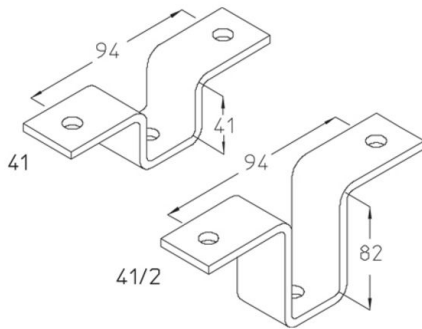


## AVB rail connector U support

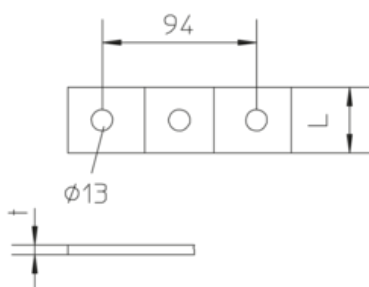


Hot-dip galvanized, according to BS 729 (DIN EN ISO 1461)

Product	H	B	L	t	G
AVB 41F	48 mm	134 mm	40 mm	6,00 mm	0,44 kg
AVB 41/2F	90 mm	134 mm	40 mm	6,00 mm	0,48 kg

**H:** height  
**B:** width  
**L:** length  
**t:** material thickness  
**G:** weight

## DETAILS / APPLICATIONS



## OPTIONAL ACCESSORIES

AM22, AMF22

