

AVAW

rail connector angle

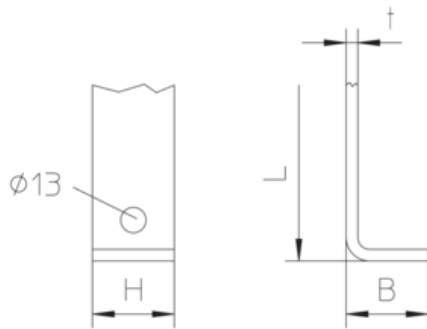
Hot-dip galvanized, according to BS 729 (DIN EN ISO 1461)

Product	H	B	L	t	G
AVAW-L F	90 mm	98 mm	48 mm	6,00 mm	0,36 kg
AVAW-M F	51 mm	136 mm	52 mm	6,00 mm	0,36 kg
AVAW-R F	90 mm	98 mm	48 mm	6,00 mm	0,36 kg

H: height
B: width
L: length
t: material thickness
G: weight

DETAILS / APPLICATIONS





OPTIONAL ACCESSORIES

AM22, AMF22

