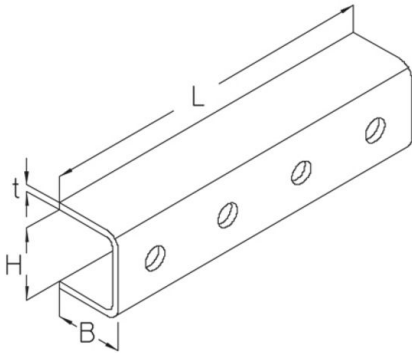


AV
connector, A/KHA 21/41/42/82

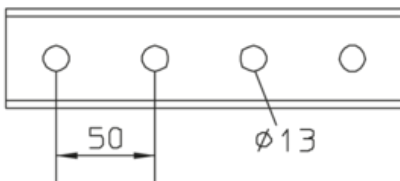


Hot-dip galvanized, according to BS 729 (DIN EN ISO 1461)

Product	H	B	L	t	G
AV 41F	42 mm	40 mm	200 mm	4,00 mm	0,7 kg

H: height
B: width
L: length
t: material thickness
G: weight

DETAILS / APPLICATIONS



OPTIONAL ACCESSORIES

AMF22, AM22

