

AC

cable clamp for fastening to C-profile rails

Cable clamp with full-surface vat made of galvanised steel. For fastening to C-profile rails (C+, C60°) with a slot size of 18/22 mm. certified according to DIN 4102-12

Articles with a diameter of 12-56mm are also available in stainless steel finish, material No. 1.4571 / 1.4404 (V4A).

Zinc coated

Product	D	H _{max}	M	number of cables	G
12 AC	8-12 mm	41 mm	2 Nm	1	2,7 kg/100
16 AC	12-16 mm	46 mm	2 Nm	1	3,1 kg/100
20 AC	16-20 mm	50 mm	2 Nm	1	3,5 kg/100
24 AC	20-24 mm	54 mm	2 Nm	1	3,7 kg/100
28 AC	24-28 mm	58 mm	2 Nm	1	4,2 kg/100
32 AC	28-32 mm	63 mm	2 Nm	1	6,4 kg/100
36 AC	32-36 mm	67 mm	2 Nm	1	6,7 kg/100
40 AC	36-40 mm	71 mm	2 Nm	1	7,5 kg/100
44 AC	40-44 mm	81 mm	4 Nm	1	9,6 kg/100
48 AC	44-48 mm	85 mm	4 Nm	1	9,8 kg/100
52 AC	48-52 mm	90 mm	4 Nm	1	10,7 kg/100
56 AC	52-56 mm	94 mm	4 Nm	1	11,5 kg/100
60 AC	56-60 mm	98 mm	4 Nm	1	15,1 kg/100
64 AC	60-64 mm	102 mm	4 Nm	1	15,9 kg/100
70 AC	64-70 mm	109 mm	4 Nm	1	16,9 kg/100
76 AC	70-76 mm	113 mm	4 Nm	1	23,3 kg/100
82 AC	76-82 mm	119 mm	4 Nm	1	25,8 kg/100
88 AC	82-88 mm	125 mm	4 Nm	1	27,3 kg/100
94 AC	88-94 mm	131 mm	4 Nm	1	29,6 kg/100
100 AC	94-100 mm	137 mm	4 Nm	1	32 kg/100
110 AC	100-110 mm	157 mm	4 Nm	1	35 kg/100

Page 1



Product	D	H _{max}	M	number of cables	G
120 AC	110-120 mm	167 mm	4 Nm	1	37,4 kg/100
150 AC	145-150 mm	203 mm	6 Nm	1	104,6 kg/100
175 AC	170-175 mm	228 mm	6 Nm	1	130,3 kg/100
12/2 AC	8-12 mm	58 mm	2 Nm	2	3,5 kg/100
16/2 AC	12-16 mm	67 mm	2 Nm	2	4 kg/100
20/2 AC	16-20 mm	75 mm	2 Nm	2	4,6 kg/100
24/2 AC	20-24 mm	84 mm	2 Nm	2	5 kg/100
28/2 AC	24-28 mm	92 mm	2 Nm	2	5,7 kg/100
32/2 AC	28-32 mm	101 mm	2 Nm	2	8,9 kg/100
36/2 AC	32-36 mm	109 mm	2 Nm	2	9,9 kg/100
40/2 AC	36-40 mm	117 mm	2 Nm	2	11,4 kg/100
44/2 AC	40-44 mm	127 mm	4 Nm	2	13,1 kg/100
48/2 AC	44-48 mm	135 mm	4 Nm	2	14,2 kg/100
52/2 AC	48-52 mm	144 mm	4 Nm	2	15,7 kg/100
56/2 AC	52-56 mm	152 mm	4 Nm	2	15,9 kg/100
12/3 AC	8-12 mm	71 mm	2 Nm	3	4,3 kg/100
16/3 AC	12-16 mm	85 mm	2 Nm	3	5,1 kg/100
20/3 AC	16-20 mm	97 mm	2 Nm	3	5,9 kg/100
24/3 AC	20-24 mm	110 mm	2 Nm	3	6,7 kg/100
28/3 AC	24-28 mm	122 mm	2 Nm	3	7,4 kg/100

Aluminium

Product	D	H _{max}	M	number of cables	G
12 AC-AL	8-12 mm	41 mm	1,5 Nm	1	1,2 kg/100
16 AC-AL	12-16 mm	46 mm	1,5 Nm	1	1,4 kg/100
20 AC-AL	16-20 mm	50 mm	1,5 Nm	1	1,6 kg/100
24 AC-AL	20-24 mm	54 mm	1,5 Nm	1	1,8 kg/100
28 AC-AL	24-28 mm	58 mm	1,5 Nm	1	2 kg/100
32 AC-AL	28-32 mm	63 mm	1,5 Nm	1	3,3 kg/100
36 AC-AL	32-36 mm	67 mm	1,5 Nm	1	3,6 kg/100
40 AC-AL	36-40 mm	71 mm	1,5 Nm	1	4 kg/100
44 AC-AL	40-44 mm	81 mm	3 Nm	1	4,3 kg/100

Page 2



Product	D	H _{max}	M	number of cables	G
48 AC-AL	44-48 mm	85 mm	3 Nm	1	4,6 kg/100
52 AC-AL	48-52 mm	90 mm	3 Nm	1	5,3 kg/100
56 AC-AL	52-56 mm	94 mm	3 Nm	1	5,6 kg/100

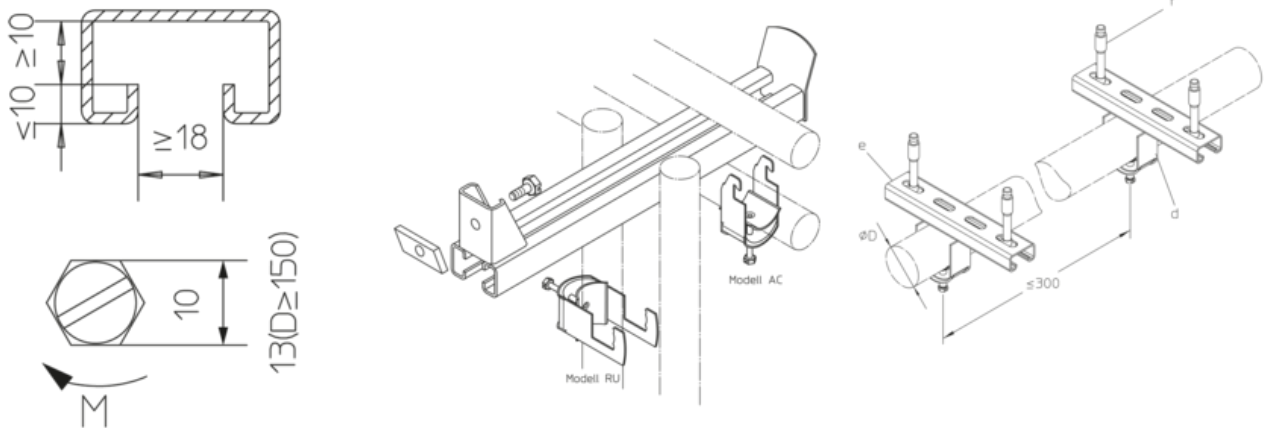
Stainless steel, according to ASTM 304 / BS 304 S 3

Product	D	H _{max}	M	number of cables	G
12 AC-E	8-12 mm	41 mm	2 Nm	1	2,6 kg/100
16 AC-E	12-16 mm	46 mm	2 Nm	1	2,9 kg/100
20 AC-E	16-20 mm	50 mm	2 Nm	1	3,2 kg/100
24 AC-E	20-24 mm	54 mm	2 Nm	1	3,6 kg/100
28 AC-E	24-28 mm	58 mm	2 Nm	1	4,1 kg/100
32 AC-E	28-32 mm	63 mm	2 Nm	1	4,8 kg/100
36 AC-E	32-36 mm	67 mm	2 Nm	1	5,8 kg/100
40 AC-E	36-40 mm	71 mm	2 Nm	1	6,6 kg/100
44 AC-E	40-44 mm	81 mm	4 Nm	1	8,6 kg/100
48 AC-E	44-48 mm	85 mm	4 Nm	1	9,1 kg/100
52 AC-E	48-52 mm	90 mm	4 Nm	1	9,8 kg/100
56 AC-E	52-56 mm	94 mm	4 Nm	1	10,8 kg/100
12/2 AC-E	8-12 mm	58 mm	2 Nm	2	3,4 kg/100
16/2 AC-E	12-16 mm	67 mm	2 Nm	2	3,8 kg/100
20/2 AC-E	16-20 mm	75 mm	2 Nm	2	4,3 kg/100
24/2 AC-E	20-24 mm	84 mm	2 Nm	2	5 kg/100
28/2 AC-E	24-28 mm	92 mm	2 Nm	2	5,4 kg/100
32/2 AC-E	28-32 mm	101 mm	2 Nm	2	7,3 kg/100
36/2 AC-E	32-36 mm	109 mm	2 Nm	2	8,1 kg/100
40/2 AC-E	36-40 mm	117 mm	2 Nm	2	9,7 kg/100
44/2 AC-E	40-44 mm	127 mm	4 Nm	2	11,7 kg/100
48/2 AC-E	44-48 mm	135 mm	4 Nm	2	12,9 kg/100
52/2 AC-E	48-52 mm	144 mm	4 Nm	2	14 kg/100
56/2 AC-E	52-56 mm	152 mm	4 Nm	2	14,9 kg/100



D: diameter
H_{max}: Maximum height
M: torque
number of cables: Maximum number of installable cables
G: weight

DETAILS / APPLICATIONS



OPTIONAL ACCESSORIES

A 41, A 2, A 4, A 9, A 8, A 7, KHA 21, KHA 41

