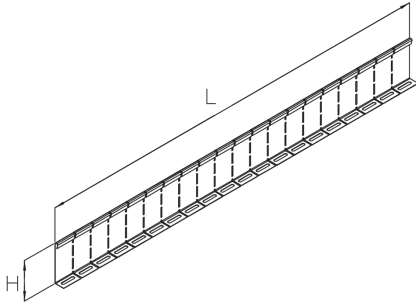


WTRV 200

Wide-span cable tray separating strip, flexible, height = 100 mm



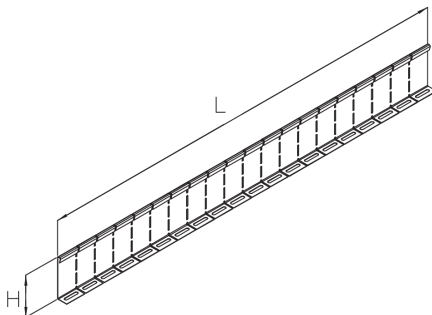
Cables and wires with different functions or voltages can be routed separately from one another by using the variable wide-span separating strip WTRV 200. The separating strip is separated into segments. This makes it flexible and ideal for being installed in formed parts. Mounting bolts are included. The wide-span separating strip WTRV 200 is suitable for wide-span cable trays with rails 200 mm high. It is 100 mm high and 1000 mm long and is made of sendzimir hot-dip galvanized steel.

steel, continuously hot galvanized/Sendzimir process

Products	H	L	t	weight
WTRV 200S	100 mm	1000 mm	0,75 mm	0,782 kg
incl.:				
3 x FRSV 6X12, 3 x SEMS 6				

H: height
L: length
t: material thickness

DETAIL AND APPLICATION IMAGES





PohlCon GmbH
Nobelstraße 51 | 12057 Berlin
Telefon: +49 30 68283-04 | Fax: +49 30 68283-383 | contact@pohlcon.com

