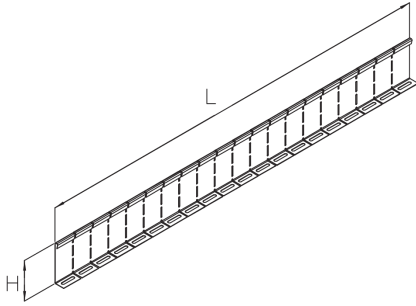


WPTRV 150

Wide-span cable tray separating strip, flexible, height = 100 mm



Cables and wires with different functions or voltages can be routed separately from one another by using the variable wide-span separating strip WPTRV 150. The separating strip is separated into segments. This makes it flexible and ideal for being installed in formed parts. Mounting bolts are included. The wide-span separating strip is 100 mm high and 1000 mm long. We provide components in various materials and surface finishes to ensure that various corrosion protection requirements for different areas of application are met.

steel, continuously hot galvanized/Sendzimir process

Products	H	L	t	W
WPTRV 150S	100 mm	1000 mm	0,75 mm	0,782 kg
incl.:				
3 × FRSV 6X12, 3 × SEMS 6				

Stainless steel, according to ASTM 304 / BS 304 S 3

Products	H	L	t	W
WPTRV 150E	100 mm	1000 mm	0,80 mm	0,841 kg
incl.:				
3 × FRSV 6X12E, 3 × SEMS 6E				

Stainless steel, according to ASTM 316 Ti / AISI 316 L, BS 320S17 / BS 316S11

Products	H	L	t	W
WPTRV 150E4	100 mm	1000 mm	0,855 kg	
incl.:				
3 × FRSV 6X12E4, 3 × SEM 6E4, 3 × US 6X12E4				



PRODUCT INFORMATION

