

WPRS 150

Wide-span cable tray riser, height = 150 mm

The wide-span cable tray riser WPRS 150 with integrated connectors allows the direction of cable routing to be changed vertically by 90° upwards. It is suitable for wide-span cable trays with rails 150 mm high and is 200 to 600 mm wide. The riser is pushed into the wide-span cable tray and then bolted in place. The connecting cable tray is then mounted on the riser. It has a radius of 576 mm.

steel, batch/hot-dip galvanized

| Products | H | B | L | R | | weight |
|---|--------|--------|--------|--------|------------------------|-----------|
| WPRS 150-20F | 150 mm | 200 mm | 616 mm | 576 mm | 90 ° VERTIKAL-STEIGEND | 11,520 kg |
| incl.: | | | | | | |
| 8 × FRSV 10X20F, 8 × SEM 10F, 8 × US 10X21F | | | | | | |
| WPRS 150-30F | 150 mm | 300 mm | 616 mm | 576 mm | 90 ° VERTIKAL-STEIGEND | 12,300 kg |
| incl.: | | | | | | |
| 8 × FRSV 10X20F, 8 × SEM 10F, 8 × US 10X21F | | | | | | |
| WPRS 150-40F | 150 mm | 400 mm | 616 mm | 576 mm | 90 ° VERTIKAL-STEIGEND | 13,110 kg |
| incl.: | | | | | | |
| 8 × FRSV 10X20F, 8 × SEM 10F, 8 × US 10X21F | | | | | | |
| WPRS 150-50F | 150 mm | 500 mm | 616 mm | 576 mm | 90 ° VERTIKAL-STEIGEND | 13,910 kg |
| incl.: | | | | | | |
| 8 × FRSV 10X20F, 8 × SEM 10F, 8 × US 10X21F | | | | | | |
| WPRS 150-60F | 150 mm | 600 mm | 616 mm | 576 mm | 90 ° VERTIKAL-STEIGEND | 14,720 kg |
| incl.: | | | | | | |
| 8 × FRSV 10X20F, 8 × SEM 10F, 8 × US 10X21F | | | | | | |

Stainless steel, according to ASTM 304 / BS 304 S 3

| Products | H | B | L | R | | weight |
|--------------|--------|--------|--------|--------|------------------------|-----------|
| WPRS 150-20E | 150 mm | 200 mm | 616 mm | 576 mm | 90 ° VERTIKAL-STEIGEND | 10,844 kg |

Page 1

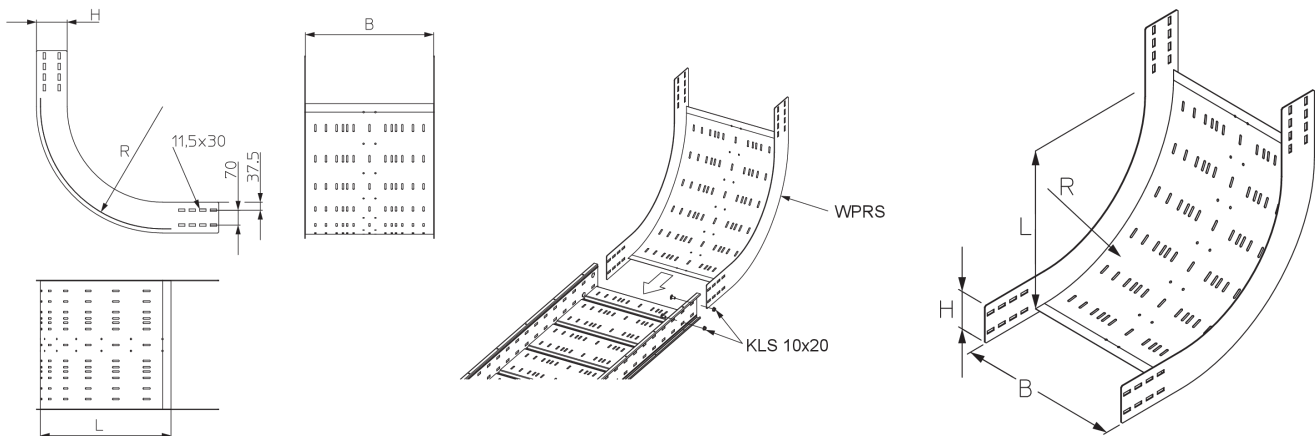


PRODUCT INFORMATION

| Products | H | B | L | R | | weight |
|---|--------|--------|--------|--------|------|-----------------------------|
| incl.: 8 × FRSV 10X20E, 8 × SEMS 10E | | | | | | |
| WPRS 150-30E | 150 mm | 300 mm | 616 mm | 576 mm | 90 ° | VERTIKAL-STEIGEND 11,574 kg |
| incl.: 8 × FRSV 10X20E, 8 × SEMS 10E | | | | | | |
| WPRS 150-40E | 150 mm | 400 mm | 616 mm | 576 mm | 90 ° | VERTIKAL-STEIGEND 12,334 kg |
| incl.: 8 × FRSV 10X20E, 8 × SEMS 10E | | | | | | |
| WPRS 150-50E | 150 mm | 500 mm | 616 mm | 576 mm | 90 ° | VERTIKAL-STEIGEND 13,084 kg |
| incl.: 8 × FRSV 10X20E, 8 × SEMS 10E | | | | | | |
| WPRS 150-60E | 150 mm | 600 mm | 616 mm | 576 mm | 90 ° | VERTIKAL-STEIGEND 13,844 kg |
| incl.: 8 × FRSV 10X20E, 8 × SEMS 10E | | | | | | |

H: height
B: width
L: length
R: radius

DETAIL AND APPLICATION IMAGES



OPTIONAL ACCESSORIES

WPSD

