

## WPRS 120

Wide-span cable tray riser, height = 120 mm

The wide-span cable tray riser WPRS 120 with integrated connectors allows the direction of cable routing to be changed vertically by 90° upwards. It is suitable for wide-span cable trays with rails 120 mm high and is 200 to 600 mm wide. The riser is pushed into the wide-span cable tray and then bolted in place. The connecting cable tray is then mounted on the riser. It has a radius of 545 mm.

steel, batch/hot-dip galvanized

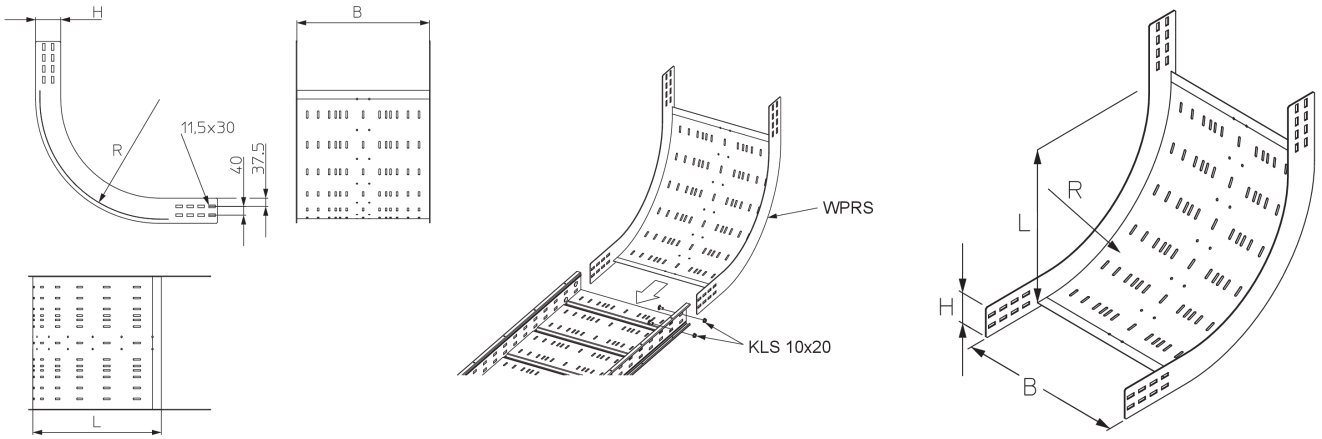
Products	H	B	L	R		W
WPRS 120-20F	120 mm	200 mm	585 mm	545 mm	90 °	VERTIKAL-STEIGEND 9,260 kg
incl.:						
8 × FRSV 10X20F, 8 × SEM 10F, 8 × US 10X21F						
WPRS 120-30F	120 mm	300 mm	585 mm	545 mm	90 °	VERTIKAL-STEIGEND 10,010 kg
incl.:						
8 × FRSV 10X20F, 8 × SEM 10F, 8 × US 10X21F						
WPRS 120-40F	120 mm	400 mm	585 mm	545 mm	90 °	VERTIKAL-STEIGEND 10,770 kg
incl.:						
8 × FRSV 10X20F, 8 × SEM 10F, 8 × US 10X21F						
WPRS 120-50F	120 mm	500 mm	585 mm	545 mm	90 °	VERTIKAL-STEIGEND 11,530 kg
incl.:						
8 × FRSV 10X20F, 8 × SEM 10F, 8 × US 10X21F						
WPRS 120-60F	120 mm	600 mm	585 mm	545 mm	90 °	VERTIKAL-STEIGEND 12,300 kg
incl.:						
8 × FRSV 10X20F, 8 × SEM 10F, 8 × US 10X21F						

**H:** height  
**B:** width  
**L:** length  
**R:** radius  
**W:** Weight per storage unit



# PRODUCT INFORMATION

## DETAIL AND APPLICATION IMAGES



## OPTIONAL ACCESSORIES

WPSD

