

WPRF 120

Wide-span cable tray riser, height = 120 mm

The wide-span cable tray riser WPRF 120 with integrated connectors allows the direction of cable routing to be changed vertically by 90° downwards. It is suitable for wide-span cable trays with rails 120 mm high and is 200 to 600 mm wide. The riser is pushed into the wide-span cable tray and then bolted in place. The connecting cable tray is then mounted on the riser. It has a radius of 500 mm.

steel, batch/hot-dip galvanized

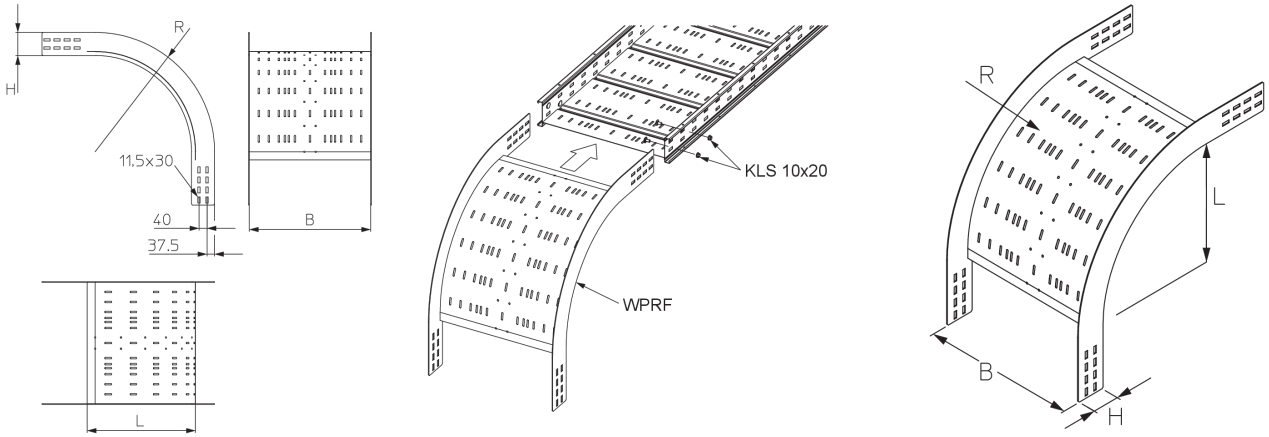
Products	H	B	L	R			weight
WPRF 120-20F	120 mm	200 mm	540 mm	500 mm	90 °	VERTIKAL-FALLEND	9,410 kg
incl.:							
8 × FRSV 10X20F, 8 × SEM 10F, 8 × US 10X21F							
WPRF 120-30F	120 mm	300 mm	540 mm	500 mm	90 °	VERTIKAL-FALLEND	10,090 kg
incl.:							
8 × FRSV 10X20F, 8 × SEM 10F, 8 × US 10X21F							
WPRF 120-40F	120 mm	400 mm	540 mm	500 mm	90 °	VERTIKAL-FALLEND	10,800 kg
incl.:							
8 × FRSV 10X20F, 8 × SEM 10F, 8 × US 10X21F							
WPRF 120-50F	120 mm	500 mm	540 mm	500 mm	90 °	VERTIKAL-FALLEND	11,500 kg
incl.:							
8 × FRSV 10X20F, 8 × SEM 10F, 8 × US 10X21F							
WPRF 120-60F	120 mm	600 mm	540 mm	500 mm	90 °	VERTIKAL-FALLEND	12,200 kg
incl.:							
8 × FRSV 10X20F, 8 × SEM 10F, 8 × US 10X21F							

H: height
B: width
L: length
R: radius



PRODUCT INFORMATION

DETAIL AND APPLICATION IMAGES



OPTIONAL ACCESSORIES

WPFD

