

## WPR 150

Wide-span cable tray, height = 150 mm

The wide-span cable trays WPR 150 have rails 150 mm high and are available in widths of 200 to 600 mm. The standard length is 6000 mm. We provide components in various materials and surface finishes to ensure that various corrosion protection requirements for different areas of application are met.



steel, continuously hot galvanized/Sendzimir process

Products	H	B	L	t	A	Q <sub>SK</sub>	weight
WPR 150-20S	150 mm	200 mm	6000 mm	1,75 mm	256 cm <sup>2</sup>	0,38 kN/m	45,130 kg
WPR 150-30S	150 mm	300 mm	6000 mm	1,75 mm	384 cm <sup>2</sup>	0,58 kN/m	50,810 kg
WPR 150-40S	150 mm	400 mm	6000 mm	1,75 mm	512 cm <sup>2</sup>	0,77 kN/m	56,680 kg
WPR 150-50S	150 mm	500 mm	6000 mm	1,75 mm	640 cm <sup>2</sup>	0,96 kN/m	62,550 kg
WPR 150-60S	150 mm	600 mm	6000 mm	1,75 mm	768 cm <sup>2</sup>	1,15 kN/m	68,410 kg

steel, batch/hot-dip galvanized

Products	H	B	L	t	A	Q <sub>SK</sub>	weight
WPR 150-20F	150 mm	200 mm	6000 mm	1,75 mm	256 cm <sup>2</sup>	0,38 kN/m	48,280 kg
WPR 150-30F	150 mm	300 mm	6000 mm	1,75 mm	384 cm <sup>2</sup>	0,58 kN/m	54,360 kg
WPR 150-40F	150 mm	400 mm	6000 mm	1,75 mm	512 cm <sup>2</sup>	0,77 kN/m	60,640 kg
WPR 150-50F	150 mm	500 mm	6000 mm	1,75 mm	640 cm <sup>2</sup>	0,96 kN/m	66,920 kg
WPR 150-60F	150 mm	600 mm	6000 mm	1,75 mm	768 cm <sup>2</sup>	1,15 kN/m	73,200 kg

Stainless steel, according to ASTM 304 / BS 304 S 3

Products	H	B	L	t	A	Q <sub>SK</sub>	weight
WPR 150-20E	150 mm	200 mm	6000 mm	1,75 mm	256 cm <sup>2</sup>	0,38 kN/m	48,800 kg



# PRODUCT INFORMATION

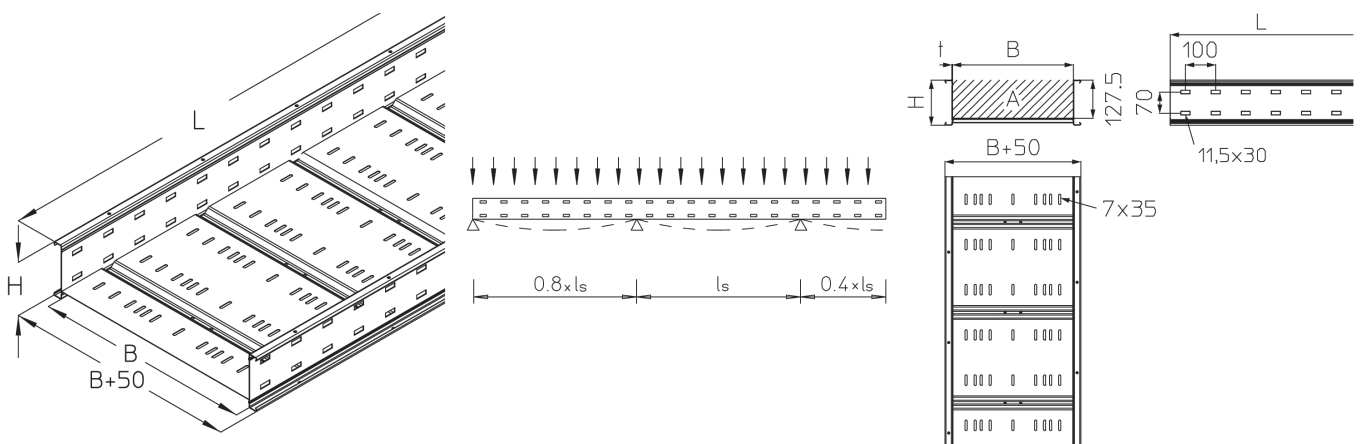
Products	H	B	L	t	A	$Q_{SK}$	weight
WPR 150-30E	150 mm	300 mm	6000 mm	1,75 mm	384 cm <sup>2</sup>	0,58 kN/m	55,680 kg
WPR 150-40E	150 mm	400 mm	6000 mm	1,75 mm	512 cm <sup>2</sup>	0,77 kN/m	62,800 kg
WPR 150-50E	150 mm	500 mm	6000 mm	1,75 mm	640 cm <sup>2</sup>	0,96 kN/m	69,920 kg
WPR 150-60E	150 mm	600 mm	6000 mm	1,75 mm	768 cm <sup>2</sup>	1,15 kN/m	77,020 kg

Stainless steel, according to ASTM 316 Ti / AISI 316 L, BS 320S17 / BS 316S11

Products	H	B	L	t	A	$Q_{SK}$	weight
WPR 150-20E4	150 mm	200 mm	6000 mm	1,75 mm	256 cm <sup>2</sup>	0,38 kN/m	49,420 kg
WPR 150-30E4	150 mm	300 mm	6000 mm	1,75 mm	384 cm <sup>2</sup>	0,58 kN/m	56,400 kg
WPR 150-40E4	150 mm	400 mm	6000 mm	1,75 mm	512 cm <sup>2</sup>	0,77 kN/m	63,600 kg
WPR 150-50E4	150 mm	500 mm	6000 mm	1,75 mm	640 cm <sup>2</sup>	0,96 kN/m	70,800 kg
WPR 150-60E4	150 mm	600 mm	6000 mm	1,75 mm	768 cm <sup>2</sup>	1,15 kN/m	78,000 kg

**H:** height  
**B:** width  
**L:** length  
**t:** material thickness  
**A:** cross section area  
 **$Q_{SK}$ :** distributed load control cable

## DETAIL AND APPLICATION IMAGES



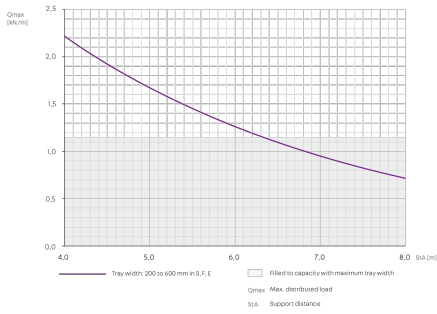
Page 2



PohlCon GmbH  
 Nobelstraße 51 | 12057 Berlin  
 Telefon: +49 30 68283-04 | Fax: +49 30 68283-383 | contact@pohlcon.com



## LOAD DIAGRAM



## OPTIONAL ACCESSORIES

WPRB 150, WPREAB 150, WPEA 150, WPRA 150, WPRAA 150, WPRK 150, WPV 150, WPVH 150, WPVV 150, VB, WPTR 150, WPHS-A, WPHS-K, WPHS-P, WPHS-IS, WPREB, WPRKAB, H, WPD, MP-W

