

## WPR 120

Wide-span cable tray, height = 120 mm

The wide-span cable trays WPR 120 have rails 120 mm high and are available in widths of 200 to 600 mm. The standard length is 6000 mm. We provide components in various materials and surface finishes to ensure that various corrosion protection requirements for different areas of application are met.



steel, continuously hot galvanized/Sendzimir process

Products	H	B	L	t	A	Q <sub>SK</sub>	weight
WPR 120-20S	120 mm	200 mm	6000 mm	1,50 mm	196 cm <sup>2</sup>	0,29 kN/m	36,410 kg
WPR 120-30S	120 mm	300 mm	6000 mm	1,50 mm	294 cm <sup>2</sup>	0,44 kN/m	42,100 kg
WPR 120-40S	120 mm	400 mm	6000 mm	1,50 mm	392 cm <sup>2</sup>	0,59 kN/m	47,970 kg
WPR 120-50S	120 mm	500 mm	6000 mm	1,50 mm	490 cm <sup>2</sup>	0,74 kN/m	53,830 kg
WPR 120-60S	120 mm	600 mm	6000 mm	1,50 mm	588 cm <sup>2</sup>	0,88 kN/m	59,700 kg

steel, batch/hot-dip galvanized

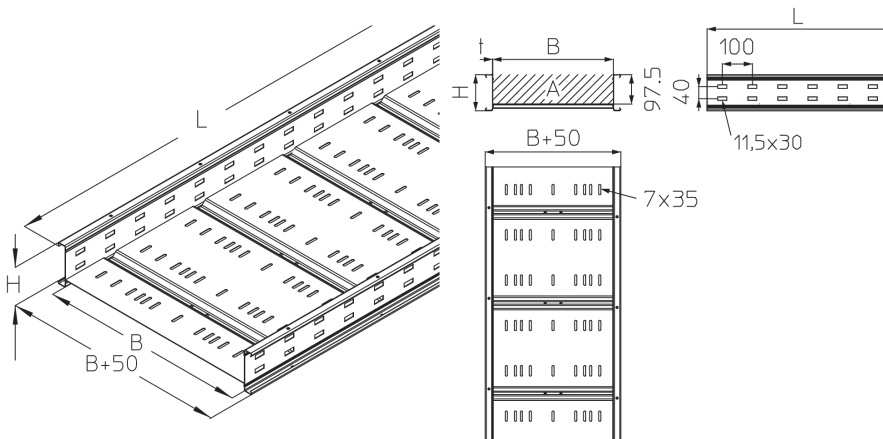
Products	H	B	L	t	A	Q <sub>SK</sub>	weight
WPR 120-20F	120 mm	200 mm	6000 mm	1,50 mm	196 cm <sup>2</sup>	0,29 kN/m	38,800 kg
WPR 120-30F	120 mm	300 mm	6000 mm	1,50 mm	294 cm <sup>2</sup>	0,44 kN/m	44,880 kg
WPR 120-40F	120 mm	400 mm	6000 mm	1,50 mm	392 cm <sup>2</sup>	0,59 kN/m	51,160 kg
WPR 120-50F	120 mm	500 mm	6000 mm	1,50 mm	490 cm <sup>2</sup>	0,74 kN/m	57,440 kg
WPR 120-60F	120 mm	600 mm	6000 mm	1,50 mm	588 cm <sup>2</sup>	0,88 kN/m	63,720 kg

**H:** height  
**B:** width  
**L:** length  
**t:** material thickness  
**A:** cross section area  
**Q<sub>SK</sub>:** distributed load control cable

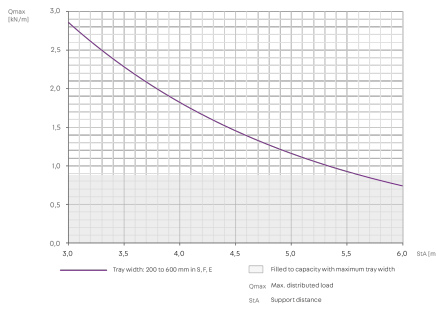


# PRODUCT INFORMATION

## DETAIL AND APPLICATION IMAGES



## LOAD DIAGRAM



## OPTIONAL ACCESSORIES

WPRB 120, WPREAB 120, WPEA 120, Wpra 120, WPRAA 120, WPRK 120, WPV 120, WPVH 120, WPVV 120, VB, WPTR 120, WPHS-A, WPHS-K, WPHS-P, WPHS-IS, WPREB, WPRKAB, H, WPD, MP-W

