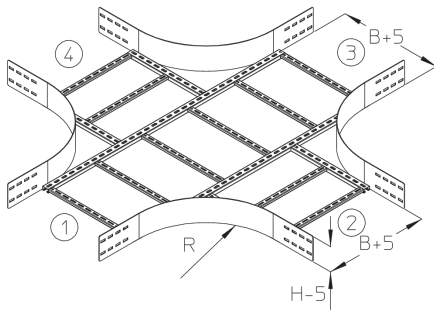


WPLK 150

Wide-span cable ladder crossing, height = 150 mm



The wide-span cable tray crossing WPLK 150 with integrated connectors serves as a formed part for horizontally intersecting wide-span cable trays. It is suitable for cable ladders with rails 150 mm high and is 200 to 600 mm wide. We provide components in various materials and surface finishes to ensure that various corrosion protection requirements for different areas of application are met.

steel, batch/hot-dip galvanized

Products	H	B	R	weight
WPLK 150-20F	150 mm	200 mm	450 mm	23,810 kg
incl.:				
16 × KLS 10X20F				
WPLK 150-30F	150 mm	300 mm	450 mm	25,350 kg
incl.:				
16 × KLS 10X20F				
WPLK 150-40F	150 mm	400 mm	450 mm	25,700 kg
incl.:				
16 × KLS 10X20F				
WPLK 150-50F	150 mm	500 mm	450 mm	26,610 kg
incl.:				
16 × KLS 10X20F				
WPLK 150-60F	150 mm	600 mm	450 mm	27,870 kg
incl.:				
16 × KLS 10X20F				

Stainless steel, according to ASTM 304 / BS 304 S 3

Products	H	B	R	weight
WPLK 150-20E	150 mm	200 mm	450 mm	24,520 kg

Page 1

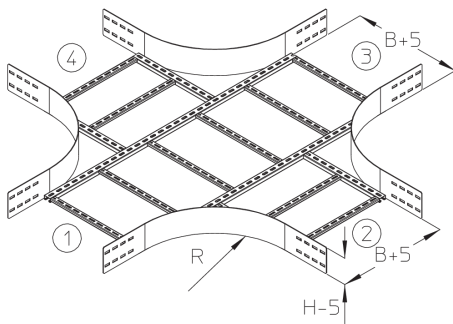


PRODUCT INFORMATION

Products	H	B	R	weight
incl.: 16 × KLS 10X20E				
WPLK 150-30E	150 mm	300 mm	450 mm	25,510 kg
incl.: 16 × KLS 10X20E				
WPLK 150-40E	150 mm	400 mm	450 mm	26,420 kg
incl.: 16 × KLS 10X20E				
WPLK 150-50E	150 mm	500 mm	450 mm	27,340 kg
incl.: 16 × KLS 10X20E				
WPLK 150-60E	150 mm	600 mm	450 mm	28,610 kg
incl.: 16 × KLS 10X20E				

H: height
B: width
R: radius

DETAIL AND APPLICATION IMAGES



OPTIONAL ACCESSORIES

WPKD, WPTRV 150

