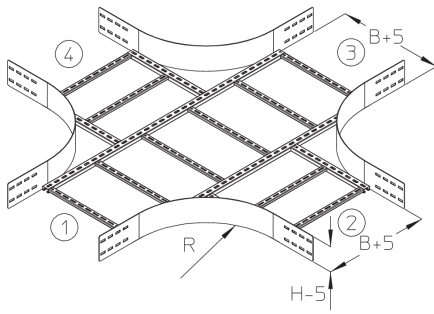


WPLK 120

Wide-span cable ladder crossing, height = 120 mm



The wide-span cable tray crossing WPLK 120 with integrated connectors serves as a formed part for horizontally intersecting wide-span cable trays. It is suitable for cable ladders with rails 120 mm high and is 200 to 600 mm wide. We provide components in various materials and surface finishes to ensure that various corrosion protection requirements for different areas of application are met.

steel, batch/hot-dip galvanized

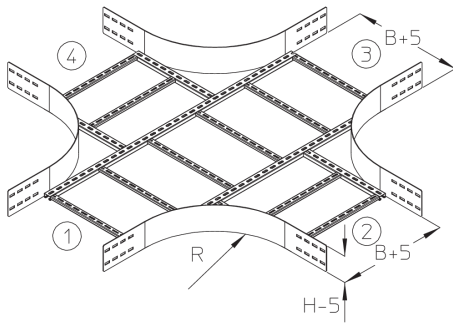
Products	H	B	R	weight
WPLK 120-20F	120 mm	200 mm	450 mm	21,700 kg
incl.:				
16 x KLS 10X20F				
WPLK 120-30F	120 mm	300 mm	450 mm	22,750 kg
incl.:				
16 x KLS 10X20F				
WPLK 120-40F	120 mm	400 mm	450 mm	23,730 kg
incl.:				
16 x KLS 10X20F				
WPLK 120-50F	120 mm	500 mm	450 mm	24,700 kg
incl.:				
16 x KLS 10X20F				
WPLK 120-60F	120 mm	600 mm	450 mm	26,050 kg
incl.:				
16 x KLS 10X20F				

H: height
B: width
R: radius



PRODUCT INFORMATION

DETAIL AND APPLICATION IMAGES



OPTIONAL ACCESSORIES

WPKD, WPTRV 120

