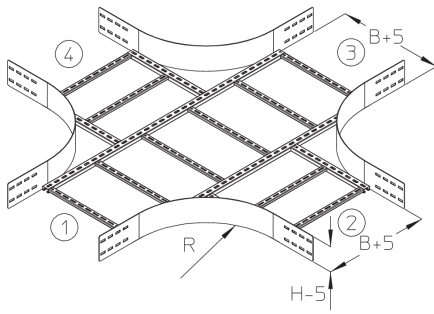


WPLK 100

Wide-span cable ladder crossing, height = 100 mm



The wide-span cable tray crossing WPLK 100 with integrated connectors serves as a formed part for horizontally intersecting wide-span cable trays. It is suitable for cable ladders with rails 100 mm high and is 200 to 600 mm wide. We provide components in various materials and surface finishes to ensure that various corrosion protection requirements for different areas of application are met.

Stainless steel, according to ASTM 304 / BS 304 S 3

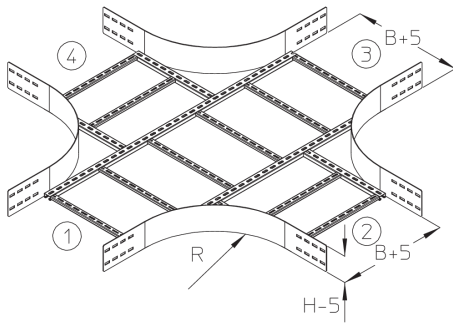
Products	H	B	R	W
WPLK 100-20E	100 mm	200 mm	450 mm	19,260 kg
incl.:				
16 x KLS 10X20E				
WPLK 100-30E	100 mm	300 mm	450 mm	20,260 kg
incl.:				
16 x KLS 10X20E				
WPLK 100-40E	100 mm	400 mm	450 mm	21,180 kg
incl.:				
16 x KLS 10X20E				
WPLK 100-50E	100 mm	500 mm	450 mm	22,100 kg
incl.:				
16 x KLS 10X20E				
WPLK 100-60E	100 mm	600 mm	450 mm	23,380 kg
incl.:				
16 x KLS 10X20E				

H: height
B: width
R: radius
W: Weight per storage unit



PRODUCT INFORMATION

DETAIL AND APPLICATION IMAGES



OPTIONAL ACCESSORIES

WPKD, WPTRV 100

