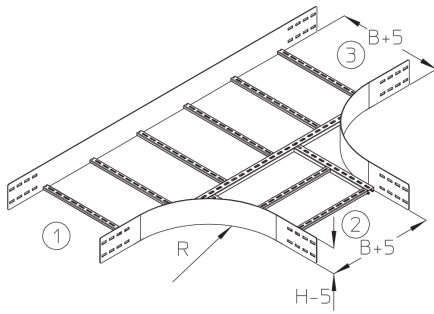


## WPLA 100

Wide-span cable ladder branch, height = 100 mm



The T-shaped wide-span cable ladder branch WPLA 100 with integrated connectors allows the direction of the cable routing to be changed in the form of a branch. It is suitable for wide-span cable ladders with rails 100 mm high and is 200 to 600 mm wide. The branch is inserted between two wide-span cable ladders. The connecting rack can then be pushed in. We provide components in various materials and surface finishes to ensure that various corrosion protection requirements for different areas of application are met.

Stainless steel, according to ASTM 304 / BS 304 S 3

Products	H	B	B2	L	R	weight
WPLA 100-20E	100 mm	200 mm	200 mm	1175 mm	450 mm	10,670 kg
incl.:						
12 x KLS 10X20E						
WPLA 100-30E	100 mm	300 mm	300 mm	1275 mm	450 mm	11,640 kg
incl.:						
12 x KLS 10X20E						
WPLA 100-40E	100 mm	400 mm	400 mm	1375 mm	450 mm	12,500 kg
incl.:						
12 x KLS 10X20E						
WPLA 100-50E	100 mm	500 mm	500 mm	1475 mm	450 mm	13,350 kg
incl.:						
12 x KLS 10X20E						
WPLA 100-60E	100 mm	600 mm	600 mm	1575 mm	450 mm	14,600 kg
incl.:						
12 x KLS 10X20E						

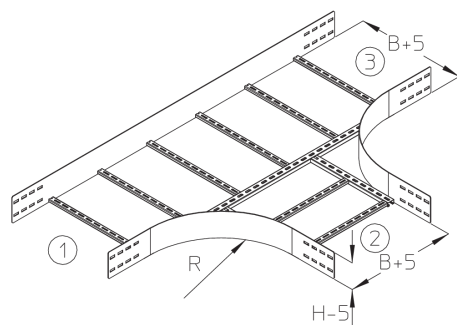
**H:** height  
**B:** width  
**B2:** width  
**L:** length  
**R:** radius



# PRODUCT INFORMATION

---

## DETAIL AND APPLICATION IMAGES



## OPTIONAL ACCESSORIES

WPAD, WPTRV 100

