

WPL 120

Wide-span cable ladder, height = 120 mm

The wide-span cable ladders WPL 120 have rails 120 mm high and are available in widths of 200 to 600 mm. The standard length is 6000 mm. The rungs consist of perforated profile rails. We provide components in various materials and surface finishes to ensure that the corrosion requirements are met for all sorts of applications.



steel, continuously hot galvanized/Sendzimir process

Products	H	B	L	t	A	Q_{LK}	weight
WPL 120-20S	120 mm	200 mm	6000 mm	1,50 mm	196 cm ²	0,55 kN/m	27,350 kg
WPL 120-30S	120 mm	300 mm	6000 mm	1,50 mm	294 cm ²	0,82 kN/m	28,720 kg
WPL 120-40S	120 mm	400 mm	6000 mm	1,50 mm	392 cm ²	1,10 kN/m	30,090 kg
WPL 120-50S	120 mm	500 mm	6000 mm	1,50 mm	490 cm ²	1,37 kN/m	31,470 kg
WPL 120-60S	120 mm	600 mm	6000 mm	1,50 mm	588 cm ²	1,65 kN/m	32,840 kg

steel, batch/hot-dip galvanized

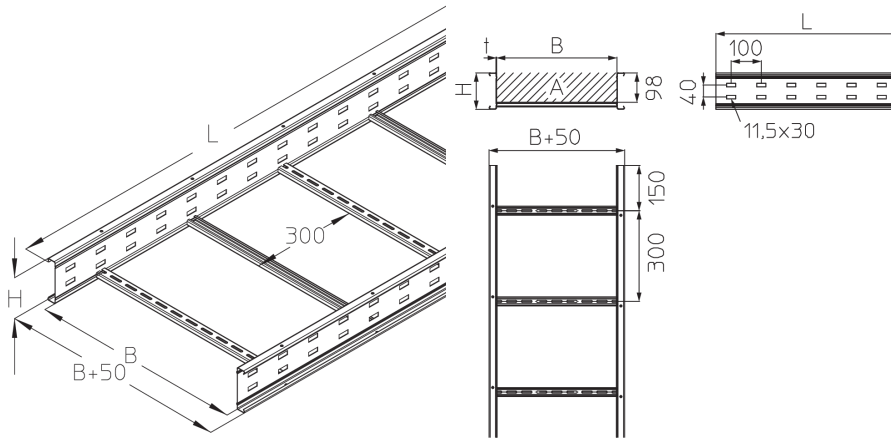
Products	H	B	L	t	A	Q_{LK}	weight
WPL 120-20F	120 mm	200 mm	6000 mm	1,50 mm	196 cm ²	0,55 kN/m	29,260 kg
WPL 120-30F	120 mm	300 mm	6000 mm	1,50 mm	294 cm ²	0,82 kN/m	30,730 kg
WPL 120-40F	120 mm	400 mm	6000 mm	1,50 mm	392 cm ²	1,10 kN/m	32,200 kg
WPL 120-50F	120 mm	500 mm	6000 mm	1,50 mm	490 cm ²	1,37 kN/m	33,670 kg
WPL 120-60F	120 mm	600 mm	6000 mm	1,50 mm	588 cm ²	1,65 kN/m	35,140 kg

H: height
B: width
L: length
t: material thickness
A: cross section area
 Q_{LK} :

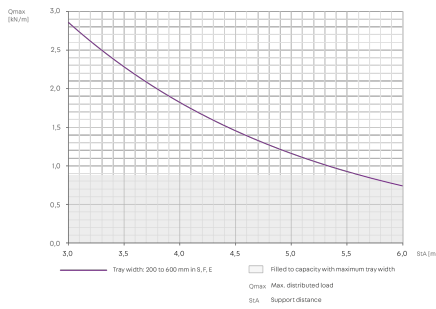


PRODUCT INFORMATION

DETAIL AND APPLICATION IMAGES



LOAD DIAGRAM



OPTIONAL ACCESSORIES

WPEA 120, WPLEAB 120, WPLB 120, WPLS 120, WPLF 120, WPLA 120, WPLAA 120, WPLK 120, WPV 120, WPVH 120, WPVV 120, WPTR 120, WPHS-A, WPHS-K, WPHS-P, WPHS-IS, WPLKAB, H, WPD, SWP 120, MP-W

