

WPL 100

Wide-span cable ladder, height = 100 mm

The wide-span cable ladders WPL 100 have rails 100 mm high and are available in widths of 200 to 600 mm. The standard length is 6000 mm. The rungs consist of perforated profile rails. The wide-span spar supports are to be used for fastening to the substructure. We provide components in various materials and surface finishes to ensure that the corrosion requirements are met for all sorts of applications.



Stainless steel, according to ASTM 304 / BS 304 S 3

Products	H	B	L	t	A	Q _{LK}	W
WPL 100-20E	100 mm	200 mm	6000 mm	1,50 mm	156 cm ²	0,44 kN/m	24,750 kg
WPL 100-30E	100 mm	300 mm	6000 mm	1,50 mm	234 cm ²	0,66 kN/m	26,130 kg
WPL 100-40E	100 mm	400 mm	6000 mm	1,50 mm	312 cm ²	0,87 kN/m	27,510 kg
WPL 100-50E	100 mm	500 mm	6000 mm	1,50 mm	390 cm ²	1,09 kN/m	28,890 kg
WPL 100-60E	100 mm	600 mm	6000 mm	1,50 mm	468 cm ²	1,31 kN/m	30,270 kg

Stainless steel, according to ASTM 316 Ti / AISI 316 L, BS 320S17 / BS 316S11

Products	H	B	L	t	A	Q _{LK}	W
WPL 100-20E4	100 mm	200 mm	6000 mm	1,50 mm	156 cm ²	0,44 kN/m	25,060 kg
WPL 100-30E4	100 mm	300 mm	6000 mm	1,50 mm	234 cm ²	0,66 kN/m	26,460 kg
WPL 100-40E4	100 mm	400 mm	6000 mm	1,50 mm	312 cm ²	0,87 kN/m	27,860 kg
WPL 100-50E4	100 mm	500 mm	6000 mm	1,50 mm	390 cm ²	1,09 kN/m	29,260 kg
WPL 100-60E4	100 mm	600 mm	6000 mm	1,50 mm	468 cm ²	1,31 kN/m	30,650 kg

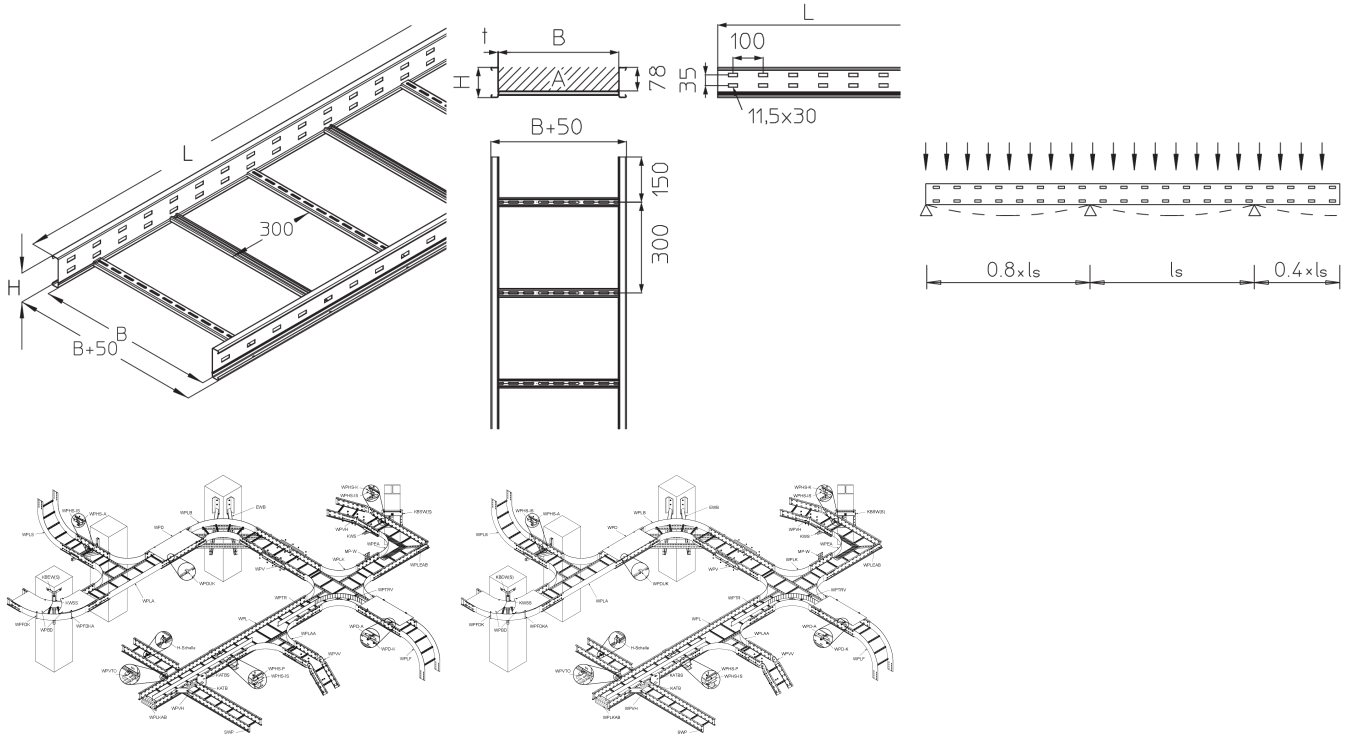
H: height
B: width
L: length
t: material thickness
A: cross section area
Q_{LK}:



PRODUCT INFORMATION

W: Weight per storage unit

DETAIL AND APPLICATION IMAGES



OPTIONAL ACCESSORIES

WPEA 100, WPLEAB 100, WPLB 100, WPLS 100, WPLF 100, WPLA 100, WPLAA 100, WPLK 100, WPV 100, WPVH 100, WPVV 100, WPTR 100, WPHS-A, WPHS-K, WPHS-P, WPHS-IS, WPLKAB, H, WPD, SWP 100, MP-W

