

WPHS-P

Wide-span rail support (profile)

The wide-span side rail supports WPHS-P are used to attach wide-span cable ladders or trays to steel profiles. We provide components in various materials and surface finishes to ensure that various corrosion protection requirements for different areas of application are met.

steel, continuously hot galvanized/Sendzimir process

Products	weight
WPHS-P S	0,580 kg
incl.:	
1 x FRSV 10X20, 1 x SEMS 10, 1 x FRS 8X50, 1 x US 8X17, 1 x SKLL F, 1 x SEM 8	

steel, batch/hot-dip galvanized

Products	weight
WPHS-P F	0,615 kg
incl.:	
1 x KLS 10X20F, 1 x FRS 8X50E, 1 x US 8X17E, 1 x SKLL F, 1 x SEM 8E	

Stainless steel, according to ASTM 304 / BS 304 S 3

Products	weight
WPHS-P E	0,581 kg
incl.:	
1 x FRS 8X50E, 1 x US 8X17E, 1 x SKLL E, 1 x SEM 8E, 1 x FRSV 10X20E, 1 x SEMS 10E	

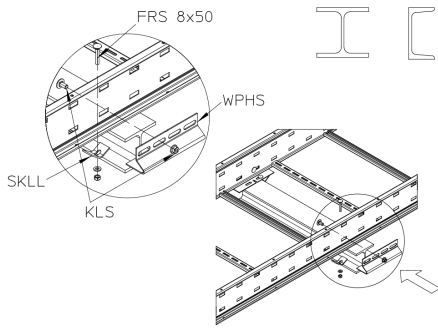


PRODUCT INFORMATION

Stainless steel, according to ASTM 316 Ti / AISI 316 L, BS 320S17 / BS 316S11

Products	weight
WPHS-P E4	0,591 kg
incl.:	
1 x FRS 8X50E4, 1 x US 8X17E4, 1 x SEM 8E4, 1 x KLS 10X20E4	

DETAIL AND APPLICATION IMAGES



OPTIONAL ACCESSORIES

WPHS-IS

