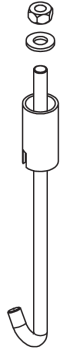


WPFDKA 120

Formed part cover clamp, elevated



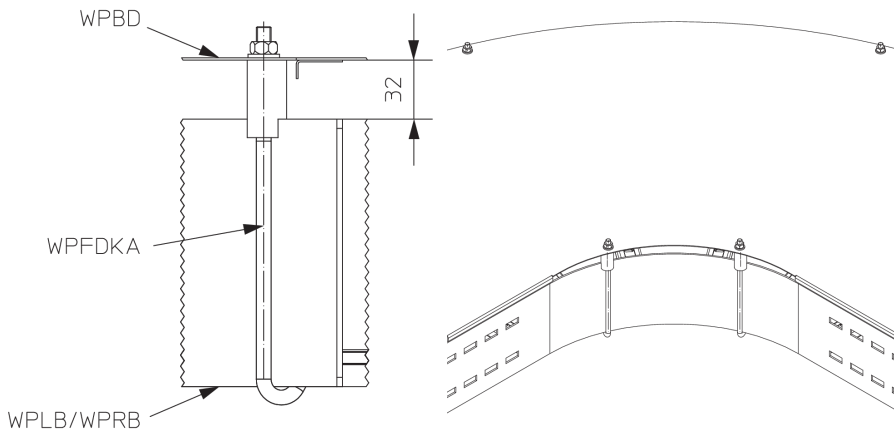
The formed cover clamp WPFDKA 120 is used to secure and elevate wide-span formed covers for improved ventilation of cables. It can also be used as a storm protection bracket. The number of cover clips depends on the number of holes in the formed part cover (see table). The filling volume of the tray remains unchanged. It is 120 mm long corresponding to the formed part rail height (without spacer sleeve) and is made of stainless steel.

Stainless steel, according to ASTM 304 / BS 304 S 3

Products	H	W
WPFDKA 120E	120 mm	0,116 kg
incl.:		
1 x US 8X17E, 1 x SEM 8E, 1 x WP-AH E		

H: height
W: Weight per storage unit

DETAIL AND APPLICATION IMAGES





PohlCon GmbH
Nobelstraße 51 | 12057 Berlin
Telefon: +49 30 68283-04 | Fax: +49 30 68283-383 | contact@pohlcon.com

