

WPFDK 120

Formed part cover clamp

The formed part cover clamp WPFDK 120 is used to secure wide-span formed part covers. It can also be used as a storm protection bracket. The number of cover clips depends on the number of holes in the formed part cover (see table). It is 120 mm long corresponding to the formed part rail height and is made of stainless steel.

Stainless steel, according to ASTM 304 / BS 304 S 3

Products	H	weight
WPFDK 120E	120 mm	0,077 kg
incl.:		
2 × US 8X17E, 1 × SEM 8E		

Stainless steel, according to ASTM 316 Ti / AISI 316 L, BS 320S17 / BS 316S11

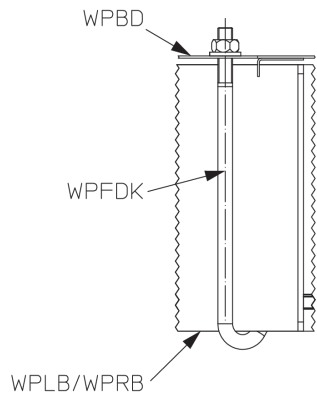
Products	H	weight
WPFDK 120E4	120 mm	0,077 kg
incl.:		
2 × US 8X17E4, 1 × SEM 8E4		

H: height

DETAIL AND APPLICATION IMAGES



PRODUCT INFORMATION



WPFDK / WPFDKA	
WPAD 20 - WPAD 60	6x
WPBD 20 - WPBD 40	4x
WPBD 50 - WPBD 60	5x
WPFD 20 - WPFD 60	4x
WPKD 20 - WPKD 60	8x
WPSD 20 - WPSD 60	4x

