

WPDF

Wide-span riser cover

The wide-span riser cover WPDF is suitable for WPLF wide-span risers and protects them from dirt, moisture and UV radiation. It is placed on top of the riser and secured with WPFDK formed part cover clips. It can be elevated on request. The cover has a radius of 450 mm corresponding to the riser. We provide components in various materials and surface finishes to ensure that various corrosion protection requirements for different areas of application are met.

steel, continuously hot galvanized/Senzimir process

Products	B	R		W
WPDF 20S	251 mm	450 mm	VERTIKAL-FALLEND	2,200 kg
WPDF 30S	351 mm	450 mm	VERTIKAL-FALLEND	4,080 kg
WPDF 40S	451 mm	450 mm	VERTIKAL-FALLEND	5,240 kg
WPDF 50S	551 mm	450 mm	VERTIKAL-FALLEND	7,980 kg
WPDF 60S	651 mm	450 mm	VERTIKAL-FALLEND	9,430 kg

steel, batch/hot-dip galvanized

Products	B	R		W
WPDF 20F	251 mm	450 mm	VERTIKAL-FALLEND	2,400 kg
WPDF 30F	351 mm	450 mm	VERTIKAL-FALLEND	4,430 kg
WPDF 40F	451 mm	450 mm	VERTIKAL-FALLEND	5,660 kg
WPDF 50F	551 mm	450 mm	VERTIKAL-FALLEND	8,620 kg
WPDF 60F	651 mm	450 mm	VERTIKAL-FALLEND	10,160 kg

Stainless steel, according to ASTM 304 / BS 304 S 3

Products	B	R		W
WPDF 20E	251 mm	450 mm	VERTIKAL-FALLEND	2,410 kg

Page 1

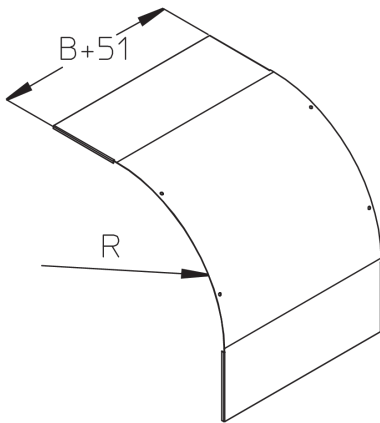


PRODUCT INFORMATION

Products	B	R		W
WPF 30E	351 mm	450 mm	VERTIKAL-FALLEND	4,170 kg
WPF 40E	451 mm	450 mm	VERTIKAL-FALLEND	5,330 kg
WPF 50E	551 mm	450 mm	VERTIKAL-FALLEND	8,110 kg
WPF 60E	651 mm	450 mm	VERTIKAL-FALLEND	9,550 kg

B: width
R: radius
W: Weight per storage unit

DETAIL AND APPLICATION IMAGES



WPFDK / WPFDKA	
WPAD 20 - WPAD 60	6x
WPBD 20 - WPBD 40	4x
WPBD 50 - WPBD 60	5x
WPF 20 - WPF 60	4x
WPKD 20 - WPKD 60	8x
WPSD 20 - WPSD 60	4x

OPTIONAL ACCESSORIES

WPFDK 100, WPFDK 120, WPFDK 150

