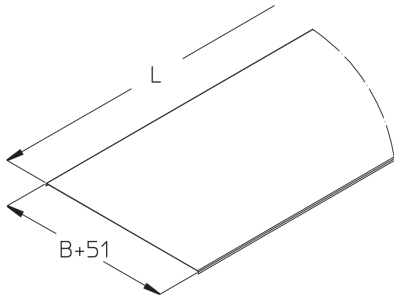


WPD

Wide-span cover



The wide-span covers WPD are suitable for all 100, 120 and 150 wide-span cable trays and protect them from dirt, moisture and UV radiation. They are placed on top of the trays and secured with WPDUK cover clips. The WPD-A cover elevator can also be used to improve the ventilation of the cables. The cover is 200 to 600 mm wide corresponding to the tray and has a standard length of 3000 mm. We provide components in various materials and surface finishes to ensure that various corrosion protection requirements for different areas of application are met.

steel, continuously hot galvanized/Senzimir process

Products	H	B	L	t	W
WPD 20S	10 mm	251 mm	3000 mm	0,75 mm	4,750 kg
WPD 30S	10 mm	351 mm	3000 mm	1,00 mm	8,690 kg
WPD 40S	10 mm	451 mm	3000 mm	1,00 mm	11,040 kg
WPD 50S	10 mm	551 mm	3000 mm	1,25 mm	16,750 kg
WPD 60S	10 mm	651 mm	3000 mm	1,25 mm	19,690 kg

steel, batch/hot-dip galvanized

Products	H	B	L	t	W
WPD 20F	10 mm	251 mm	3000 mm	0,75 mm	5,080 kg
WPD 30F	10 mm	351 mm	3000 mm	1,00 mm	9,300 kg
WPD 40F	10 mm	451 mm	3000 mm	1,00 mm	11,820 kg
WPD 50F	10 mm	551 mm	3000 mm	1,25 mm	17,920 kg
WPD 60F	10 mm	651 mm	3000 mm	1,25 mm	21,070 kg

Stainless steel, according to ASTM 304 / BS 304 S 3

Products	H	B	L	t	W
WPD 20E	10 mm	251 mm	3000 mm	0,80 mm	5,100 kg

Page 1

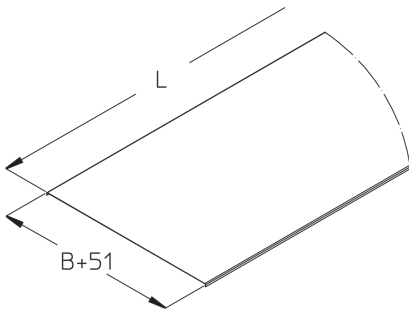


PRODUCT INFORMATION

Products	H	B	L	t	W
WPD 30E	10 mm	351 mm	3000 mm	1,00 mm	8,750 kg
WPD 40E	10 mm	451 mm	3000 mm	1,00 mm	11,120 kg
WPD 50E	10 mm	551 mm	3000 mm	1,25 mm	16,860 kg
WPD 60E	10 mm	651 mm	3000 mm	1,25 mm	19,820 kg

H: height
B: width
L: length
t: material thickness
W: Weight per storage unit

DETAIL AND APPLICATION IMAGES



OPTIONAL ACCESSORIES

WPDUK, WPD-A

