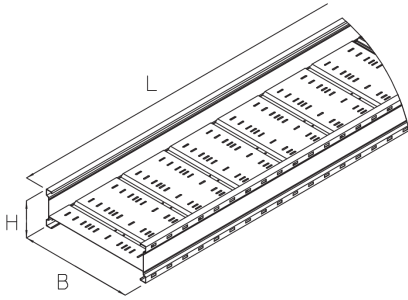


WLR 200

Wide-span cable tray, height = 200 mm

The wide-span cable tray WLR 200 have rails 202 mm high and are available in widths of 232 to 632 mm. They are available in a standard length of 6000 mm. We provide components in various materials and surface finishes to ensure that various corrosion protection requirements for different areas of application are met.



steel, continuously hot galvanized/Sendzimir process

Products	H	B	L	t	A	Q _{SK}	weight
WLR 200-20S	200 mm	200 mm	6000 mm	2,00 mm	284 cm ²	0,43 kN/m	64,730 kg
WLR 200-30S	200 mm	300 mm	6000 mm	2,00 mm	428 cm ²	0,64 kN/m	70,420 kg
WLR 200-40S	200 mm	400 mm	6000 mm	2,00 mm	572 cm ²	0,86 kN/m	76,290 kg
WLR 200-50S	200 mm	500 mm	6000 mm	2,00 mm	716 cm ²	1,07 kN/m	82,150 kg
WLR 200-60S	200 mm	600 mm	6000 mm	2,00 mm	860 cm ²	1,29 kN/m	88,020 kg

steel, batch/hot-dip galvanized

Products	H	B	L	t	A	Q _{SK}	weight
WLR 200-20F	200 mm	200 mm	6000 mm	2,00 mm	284 cm ²	0,43 kN/m	69,310 kg
WLR 200-30F	200 mm	300 mm	6000 mm	2,00 mm	428 cm ²	0,64 kN/m	75,390 kg
WLR 200-40F	200 mm	400 mm	6000 mm	2,00 mm	572 cm ²	0,86 kN/m	81,670 kg
WLR 200-50F	200 mm	500 mm	6000 mm	2,00 mm	716 cm ²	1,07 kN/m	87,950 kg
WLR 200-60F	200 mm	600 mm	6000 mm	2,00 mm	860 cm ²	1,29 kN/m	94,230 kg

H: height

B: width

L: length

t: material thickness

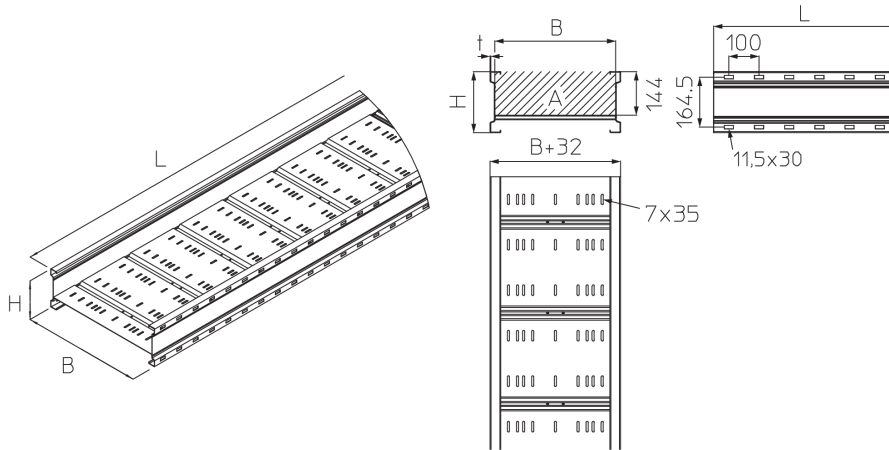
A: cross section area

Q_{SK}: distributed load control cable

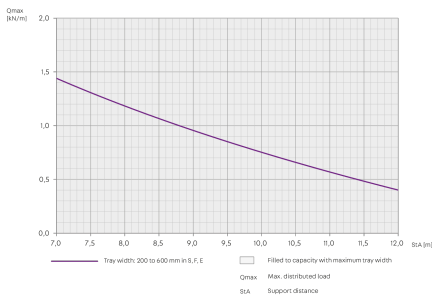


PRODUCT INFORMATION

DETAIL AND APPLICATION IMAGES



LOAD DIAGRAM



OPTIONAL ACCESSORIES

WLRB 200, WLRA 200, WLRK 200, WLKL, WLKLA, WLKLT, WLKV 200, WLKVH 200, WLKV 200, WTR 200, VB, WLD, WLDR, WLHS, MP-W

