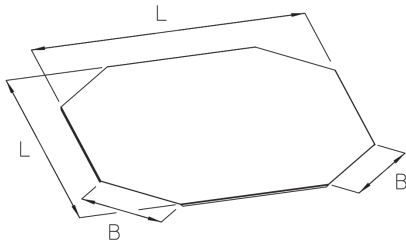


WLKD

Wide-span crossing cover



The wide-span crossing cover WLKD is suitable for WLK 200 and WLRK 200 wide-span crossings and protects them from dirt, moisture and UV radiation. It is placed on top of the crossing and secured with WLD-SW securing brackets. We provide components in various materials and surface finishes to ensure that various corrosion protection requirements for different areas of application are met.

steel, continuously hot galvanized/Sendzimir process

Products	B	t	W
WLKD 20S	240 mm	0,75 mm	6,392 kg
WLKD 30S	340 mm	1,00 mm	10,238 kg
WLKD 40S	440 mm	1,00 mm	12,109 kg
WLKD 50S	540 mm	1,25 mm	17,672 kg
WLKD 60S	640 mm	1,25 mm	18,672 kg

steel, batch/hot-dip galvanized

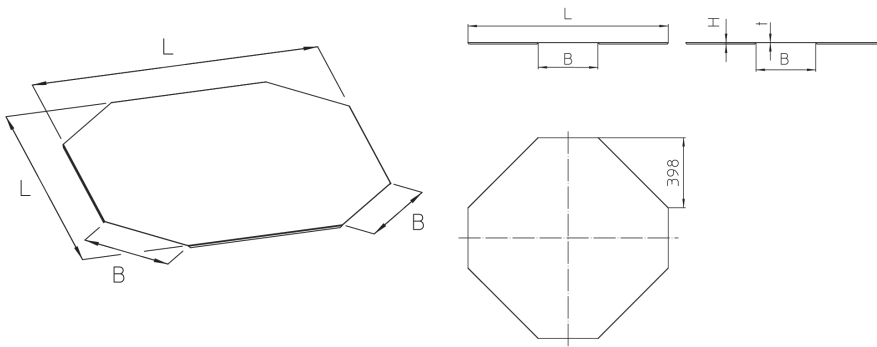
Products	B	t	W
WLKD 20F	240 mm	0,75 mm	8,100 kg
WLKD 30F	340 mm	1,00 mm	9,700 kg
WLKD 40F	440 mm	1,00 mm	11,600 kg
WLKD 50F	540 mm	1,25 mm	13,800 kg
WLKD 60F	640 mm	1,25 mm	17,450 kg

B: width
t: material thickness
W: Weight per storage unit



PRODUCT INFORMATION

DETAIL AND APPLICATION IMAGES



OPTIONAL ACCESSORIES

WLD-SW

