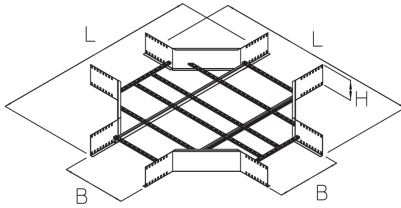


## WLK 200

Wide-span cable ladder crossing, height = 208 mm

The wide-span cable tray crossing WLK 200 with integrated connectors serves as a formed part for horizontally intersecting wide-span cable trays. It is suitable for WL 200 wide-span cable ladders and is from 237 to 637 mm side at the respective cable ladder connection point. It is made of hot-dip galvanized steel.



steel, batch/hot-dip galvanized

Products	H	B	L	W
WLK 200-20F	208 mm	237 mm	1667 mm	34,480 kg
incl.:				
32 × FRSV 10X20F, 32 × SEM 10F, 32 × US 10X21F				
WLK 200-30F	208 mm	337 mm	1767 mm	35,470 kg
incl.:				
32 × SEM 10F, 32 × US 10X21F, 32 × FRSV 10X20F				
WLK 200-40F	208 mm	437 mm	1867 mm	36,410 kg
incl.:				
32 × FRSV 10X20F, 32 × SEM 10F, 32 × US 10X21F				
WLK 200-50F	208 mm	537 mm	1967 mm	38,180 kg
incl.:				
32 × FRSV 10X20F, 32 × SEM 10F, 32 × US 10X21F				
WLK 200-60F	208 mm	637 mm	2067 mm	39,200 kg
incl.:				
32 × FRSV 10X20F, 32 × SEM 10F, 32 × US 10X21F				

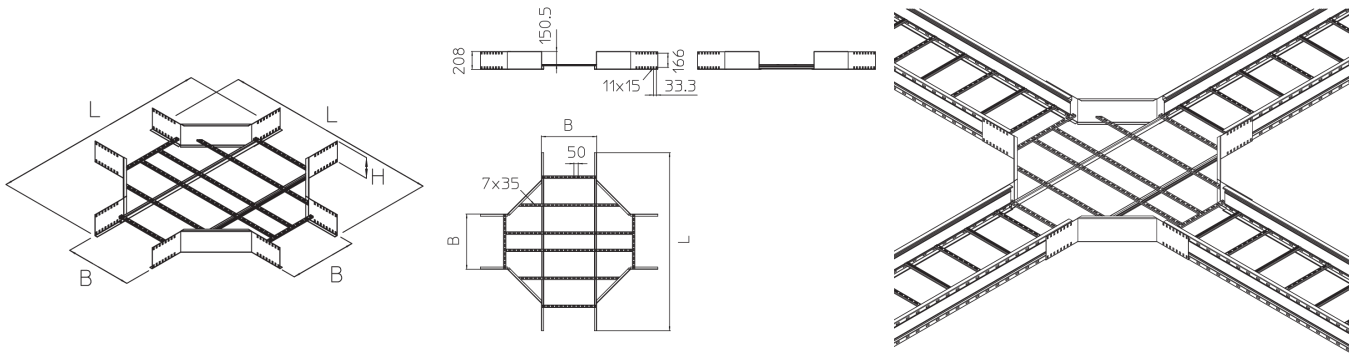
**H:** height  
**B:** width  
**L:** length  
**W:** Weight per storage unit



# PRODUCT INFORMATION

---

## DETAIL AND APPLICATION IMAGES



## OPTIONAL ACCESSORIES

WLKD, WLKDR, WTRV 200

