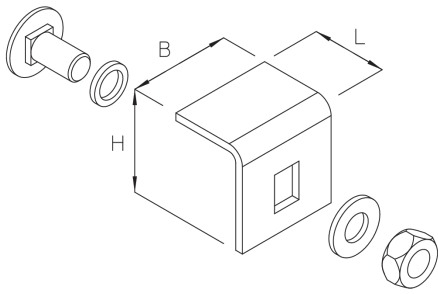


WLD-SW

Storm protection bracket



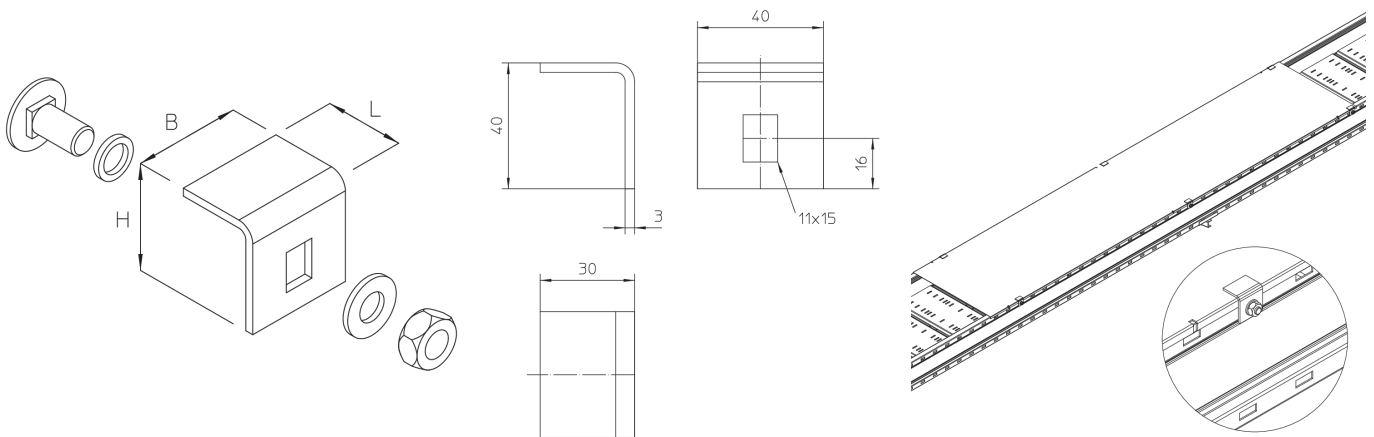
The storm protection bracket WLD-SW is used to additionally secure wide-span cover when used outdoors. At least 6 safety elements must be used per 3 metres of cable tray cover according to the installation instructions. In wind-exposed areas, the number of cover clips must be increased to at least 10. The storm protection bracket is placed on top of the wide-span cover from the outside and bolted in place. It is made of hot-dip galvanised steel.

steel, batch/hot-dip galvanized

Products	t	W
WLD-SW F	3,00 mm	0,094 kg
incl.:		
1 x SEM 10F, 1 x US 10X21F, 1 x UVS M10, 1 x FRSV 10X20F		

t: material thickness
W: Weight per storage unit

DETAIL AND APPLICATION IMAGES





PohlCon GmbH
Nobelstraße 51 | 12057 Berlin
Telefon: +49 30 68283-04 | Fax: +49 30 68283-383 | contact@pohlcon.com

