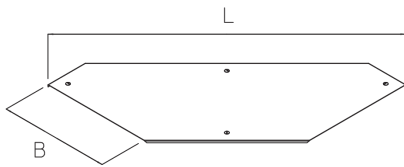


## WLBDR

### Wide-span bend cover



The wide-span bend cover WLBDR is suitable for WLB 200 and WLRB 200 wide-span bends and protects them from dirt, moisture and UV radiation. They are placed on top of the bend and also have turning bolts for additional attachment. If the covers are to be used outdoors, additional securing brackets to protect against wind are required. In this case, the twist lock alone is not sufficient as a retaining element. We provide components in various materials and surface finishes to ensure that various corrosion protection requirements for different areas of application are met.

steel, continuously hot galvanized/Sendzimir process

Products	B	L	t		W
WLBDR 20S	242 mm	641 mm	0,75 mm	HORIZONTAL	2,800 kg
WLBDR 30S	342 mm	741 mm	1,00 mm	HORIZONTAL	3,800 kg
WLBDR 40S	442 mm	841 mm	1,00 mm	HORIZONTAL	5,100 kg
WLBDR 50S	542 mm	941 mm	1,25 mm	HORIZONTAL	6,600 kg

steel, batch/hot-dip galvanized

Products	B	L	t		W
WLBDR 20F	242 mm	641 mm	0,75 mm	HORIZONTAL	3,000 kg
WLBDR 30F	342 mm	741 mm	1,00 mm	HORIZONTAL	4,100 kg
WLBDR 40F	442 mm	841 mm	1,00 mm	HORIZONTAL	5,500 kg
WLBDR 50F	542 mm	941 mm	1,25 mm	HORIZONTAL	7,000 kg
WLBDR 60F	642 mm	1041 mm	1,25 mm	HORIZONTAL	9,000 kg

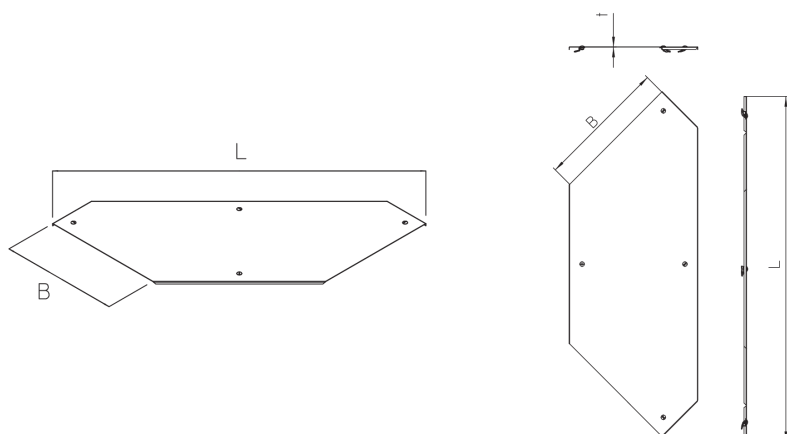
**B:** width  
**L:** length  
**t:** material thickness  
**W:** Weight per storage unit



# PRODUCT INFORMATION

---

## DETAIL AND APPLICATION IMAGES



## OPTIONAL ACCESSORIES

WLD-SW

