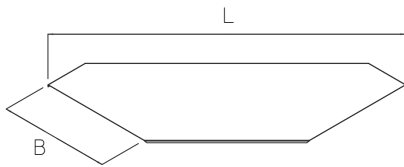


## WLBD

### Wide-span bend cover



The wide-span bend cover WLBD is suitable for WLB 200 and WLRB 200 wide-span bends and protects them from dirt, moisture and UV radiation. It is placed on top of the bend and secured with WLD-SW securing brackets. We provide components in various materials and surface finishes to ensure that various corrosion protection requirements for different areas of application are met.

steel, continuously hot galvanized/Sendzimir process

Products	B	L	t		W
WLBD 20S	240 mm	641 mm	0,75 mm	HORIZONTAL	2,487 kg
WLBD 30S	340 mm	741 mm	1,00 mm	HORIZONTAL	4,416 kg
WLBD 40S	440 mm	841 mm	1,00 mm	HORIZONTAL	5,672 kg
WLBD 50S	540 mm	941 mm	1,25 mm	HORIZONTAL	8,856 kg
WLBD 60S	640 mm	1041 mm	1,25 mm	HORIZONTAL	10,818 kg

steel, batch/hot-dip galvanized

Products	B	L	t		W
WLBD 20F	240 mm	641 mm	0,75 mm	HORIZONTAL	2,900 kg
WLBD 30F	340 mm	741 mm	1,00 mm	HORIZONTAL	4,000 kg
WLBD 40F	440 mm	841 mm	1,00 mm	HORIZONTAL	5,400 kg
WLBD 50F	540 mm	941 mm	1,25 mm	HORIZONTAL	6,900 kg

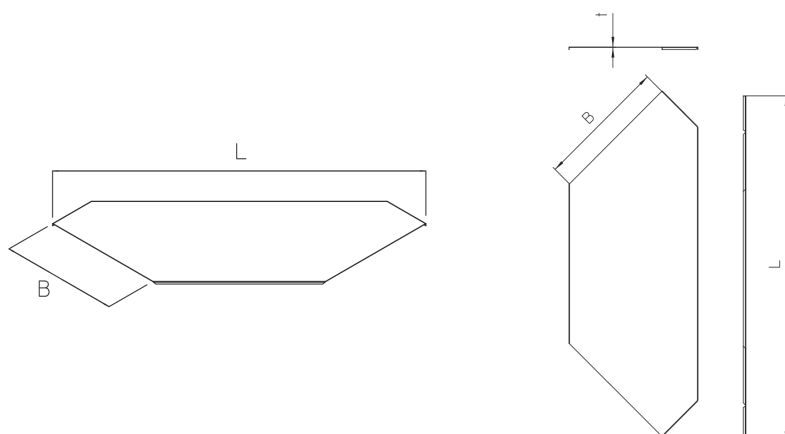
**B:** width  
**L:** length  
**t:** material thickness  
**W:** Weight per storage unit



# PRODUCT INFORMATION

---

## DETAIL AND APPLICATION IMAGES



## OPTIONAL ACCESSORIES

WLD-SW

