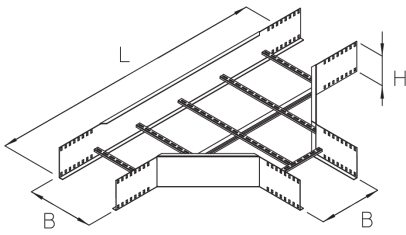


WLA 200

Wide-span cable ladder branch, height = 208 mm

The T-shaped wide-span cable ladder branch WLA 200 with integrated connectors allows the direction of the cable routing to be changed in the form of a branch. It is suitable for WL 200 wide-span cable ladders and from 200 to 600 mm wide. The wide-span cable ladder branch is inserted between two WL 200 wide-span cable ladders. The connecting rack can then be pushed in. It is made of hot-dip galvanized steel.



steel, batch/hot-dip galvanized

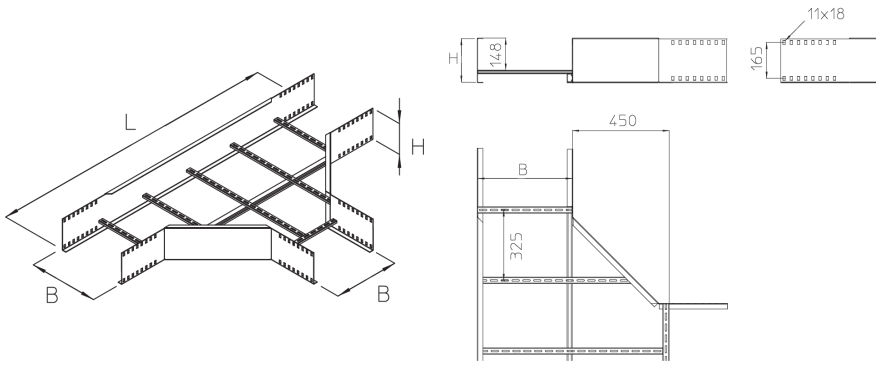
Products	H	B	B2	L	R	W
WLA 200-20F	208 mm	237 mm	237 mm	1667 mm	400 mm	23,680 kg
incl.:						
24 x FRSV 10X20F, 24 x SEM 10F, 24 x US 10X21F						
WLA 200-30F	208 mm	337 mm	337 mm	1767 mm	400 mm	24,800 kg
incl.:						
24 x FRSV 10X20F, 24 x SEM 10F, 24 x US 10X21F						
WLA 200-40F	208 mm	437 mm	437 mm	1867 mm	400 mm	25,910 kg
incl.:						
24 x FRSV 10X20F, 24 x SEM 10F, 24 x US 10X21F						
WLA 200-50F	208 mm	537 mm	537 mm	1967 mm	400 mm	27,640 kg
incl.:						
24 x FRSV 10X20F, 24 x SEM 10F, 24 x US 10X21F						
WLA 200-60F	208 mm	637 mm	637 mm	2067 mm	400 mm	28,820 kg
incl.:						
24 x FRSV 10X20F, 24 x SEM 10F, 24 x US 10X21F						

H: height
B: width
B2: width
L: length
R: radius
W: Weight per storage unit



PRODUCT INFORMATION

DETAIL AND APPLICATION IMAGES



OPTIONAL ACCESSORIES

WLAD, WLADR, WTRV 200

