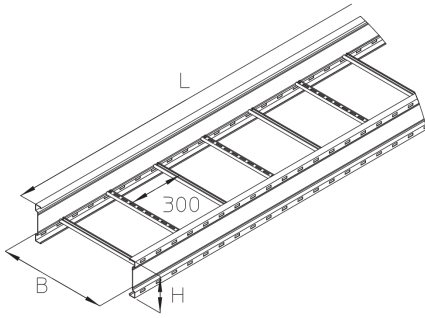


WL 200

Wide-span cable ladder, height = 200 mm



The wide-span cable ladders WL 200 have rails 202 mm high and are available in widths of 200 to 600 mm. They are available in a standard length of 6000 mm. The rungs consist of perforated profile rails. We provide components in various materials and surface finishes to ensure that various corrosion protection requirements for different areas of application are met.



steel, continuously hot galvanized/Senzimir process

Products	H	B	L	t	A	Q_{LK}	weight
WL 200-20S	200 mm	200 mm	6000 mm	2,00 mm	285 cm ²	0,8 kN/m	56,480 kg
WL 200-30S	200 mm	300 mm	6000 mm	2,00 mm	430 cm ²	1,2 kN/m	58,240 kg
WL 200-40S	200 mm	400 mm	6000 mm	2,00 mm	574 cm ²	1,61 kN/m	60,000 kg
WL 200-50S	200 mm	500 mm	6000 mm	2,00 mm	719 cm ²	2,01 kN/m	61,770 kg
WL 200-60S	200 mm	600 mm	6000 mm	2,00 mm	863 cm ²	2,42 kN/m	63,530 kg

steel, batch/hot-dip galvanized

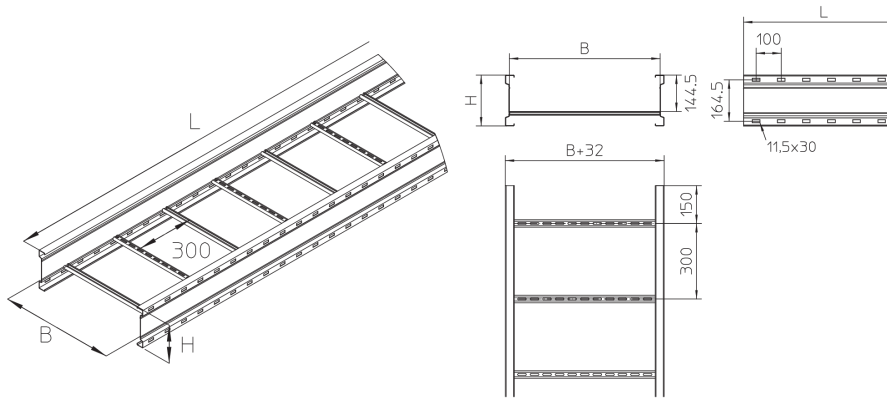
Products	H	B	L	t	A	Q_{LK}	weight
WL 200-20F	200 mm	200 mm	6000 mm	2,00 mm	285 cm ²	0,8 kN/m	60,440 kg
WL 200-30F	200 mm	300 mm	6000 mm	2,00 mm	430 cm ²	1,2 kN/m	62,320 kg
WL 200-40F	200 mm	400 mm	6000 mm	2,00 mm	574 cm ²	1,61 kN/m	64,200 kg
WL 200-50F	200 mm	500 mm	6000 mm	2,00 mm	719 cm ²	2,01 kN/m	66,090 kg
WL 200-60F	200 mm	600 mm	6000 mm	2,00 mm	863 cm ²	2,42 kN/m	67,970 kg

H: height
B: width
L: length
t: material thickness
A: cross section area
 Q_{LK} :

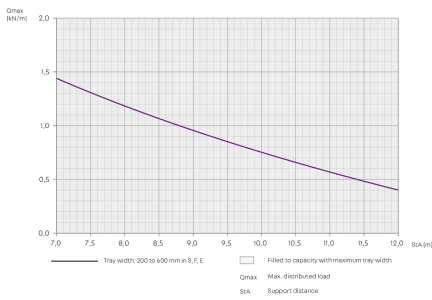


PRODUCT INFORMATION

DETAIL AND APPLICATION IMAGES



LOAD DIAGRAM



OPTIONAL ACCESSORIES

WLB 200, WLA 200, WLK 200, WLD, WLDR, WLHS, WLKL, WLKLA, WLKLT, WLV 200, WLVH 200, WLVV 200, WTR 200, H, MP-W

